

CATALOGUE



Principal Products

Product Group



Transmission Chains

TRANSMISSION CHAINS
ADAPTED FOR CONVEYING



Leaf Chains



Chains
for Agricultural
Applications



Conveyor Chains



Wheels and Sprockets



HISTORY

1890

1900

1940

1960

1970

1980

1990

2000

2010

- 1895 : **PEUGEOT** started manufacture of chains in Saint Siméon de Bressieux (Isère)
- 1904 : **DARBILLY** Chain (Seine)
- 1920 : **VERJOUX** Production plant in Verrières de Joux (Doubs)
- 1946 : Creation of the mechanical transmissions Company **SEine DOubs ISere** (Peugeot group), hence **SEDIS**
- 1972 : Creation of the UK branch **SEDIS Co Limited**
- 1993 : Acquisition of **ERGE** (founded in 1937)
- 1994 : Acquisition of **SEBIN** (founded in 1866)
- 2002 : Creation of **S2CI** (Société de Commercialisation de Composants Industriels)
- 2010 : Became a part of the MURUGAPPA Group
- 2013 : Opening of SEDIS SERVICE (installation, maintenance and rehabilitation of conveyors on sites)
- 2014 : Creation of the Italian branch SEDIS SERVICE CENTER
- 2016 : Creation of SEDIS GmbH in Germany
Opening of a SEDIS SERVICE CENTER in Birmingham, UK

A DYNAMIC INTERNATIONAL FRENCH COMPANY



2 FACTORIES
IN FRANCE

3 BRANCHES
IN EUROPE

MORE THAN
100
DISTRIBUTORS

IN
48 COUNTRIES

GENERAL INFORMATION

■ Practical advice

General design of installation	4
Drive assembly accuracy	5
Chain lubrication	6
Product implementation - safety	7
Maintenance	8
Chain length adjustment - shortening	9

■ SEDIS Chains

SEDIS ranges : DELTA®, ALPHA Premium & RECORD®	10
Constituent parts of power transmission roller chain	12
Manufacturing process	12
Quality	12

■ SEDIS specifications

Wear (elongation)	13
Fatigue and traction (load breaking of the plates)	14
Corrosion	16
Lubrication free	18

TRANSMISSION ROLLER CHAINS

■ European Series BS - dimensions

RECORD® range	20
ALPHA Premium range	21
DELTA® range	22

■ Américan Series ANSI - dimensions

ALPHA Premium range	23
RECORD® range	25

■ Connecting links

	26
--	----

SPECIAL & ADAPTED TRANSMISSION CHAINS

Straight side plate chains	28
Chains with deep link side plates	29
Conveyor belt chains	29
Hollow bearing pin chains	30
Side bow chains	31
Accumulation conveyor chains	32
Chains with extended bearing pins	33
Chains with K attachments	34
Chains with M attachments	35
Chains with special attachments "type B"	36
Chains with special attachments "type Z"	37
Angled vertical plate chains	38
Gripper chains	38
Accumulation conveyor chains with "KC" type attachment	39
Chains with V-shaped plates	40
Chains with spike attachments	41
Spike plate chains	42

SPROCKETS, CHAINWHEELS AND PLATEWHEELS

Wheels and sprockets for type B roller chains	44
Sprockets with taper bushes	47
Taper bushes	48



LEAF CHAINS

■ Leaf chains

AL series chains	50
J (LL) series chains	51
LH (BL) series chains	52

■ Accessories for leaf chains

Clevises	53
End links	54



AGRICULTURAL CHAINS

Type "S" chains with solid bearing pin	56
Attachments for "S" type chains	57
Type "A" chains with hollow bearing pin - Attachments & Standard sprockets	58



CONVEYOR CHAINS

■ ISO & BS Solid pin conveyor chains

Solid pin conveyor chains as per ISO 1977	60
K attachments and scrapers for solid pin conveyor chains as per ISO 1977	61
Drilled side plates and deep link side plates for solid pin chains as per ISO 1977	62
Solid bearing pin BS standard chains	63
K attachments and scrapers for BS solid pin conveyor chains	64
Drilled side plates and deep link side plates for BS solid pin chains	65

■ ISO hollow pin conveyor chains

■ Wheels & sprockets for conveyor chains

Wheels and sprockets for ISO conveyor chains	67
Wheels and sprockets for BS conveyor chains	68



OTHER PRODUCTS & SERVICES

Chain couplings	70
Accessories & services	71
Available brochures & catalogues	73



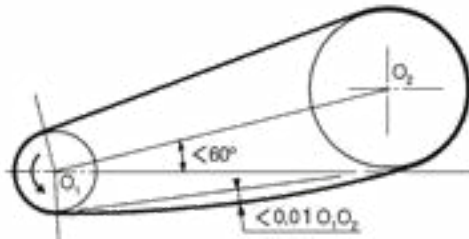
PRACTICAL ADVICE

The reliability and longevity of a chain, whatever its application, depends not only on its own qualities and characteristics, but also on the care given to the design of the installation as a whole, as well as to its construction, lubrication and maintenance.

GENERAL DESIGN OF THE INSTALLATION

1 – TRANSMISSION

The centerline of the sprockets O_1O_2 should be horizontal or have a small inclination to the horizontal,



Where the angle of inclination exceeds 60° , and where a vertical drive cannot be avoided, precautions must be taken to ensure proper chain-to-sprocket gearing on the power sprocket,

- The tensioned strand of the chain should preferably be on the top,
- The number of sprocket teeth should be selected from the standard range whenever possible. The normal transmission ratio must not exceed 1/8. Allow for two chain drives in series for higher ratios. It is preferable if the number of sprocket teeth and the number of links are prime numbers,
- Provide shaft center adjustment to ensure that the slack section of the chain is around 1% of the drive centers, provide a further 3% adjustment to compensate for chain wear.
- Tension: initially, the chain will not require any tensioning. But, in certain applications: reciprocation drive direction, frequent stop/start operations... it is necessary to have a tensioning force on the slack strand that does not exceed 10% of the driving force on the tight strand. This can be automatically adjusted or periodically regulated manually. When either the motor torque or the driven machine loading are irregular, in addition to providing a tensioning device on the slack strand, it may be necessary to mount a guiding device on the tight strand to control vibration.

In general, it is preferable, despite introducing correcting coefficients into your calculations, to adhere to the basic principles already outlined. These include: drive shaft centers, neither too short nor too long ; a drive ratio of about 3/1 ; a drive sprocket having about 25 teeth ; and ideally simplex chain, but if multiplex, with a minimum multiplicity.

2 – LIFTING WITH LEAF CHAINS

- In case where two or more chains work in parallel, the forces should be well distributed between them, generally by using adjustable fixing clevises to compensate for the dispersion of chain length and the other tolerances in the installation.
- All the fixing devices (clevises, pins, compensator, etc.) must have a strength at least equal to that of the chain.
- It is preferable that the linear speed of the chain is less than 0,5 m/s.
- The dimensions of the reversing rollers should satisfy the standard ISO 4347 giving some precise details such as: the diameter of the minimum support $D_f > 5 p$.

European regulations do however make it possible to reduce the diameter to 3 times the pitch, but by risking quicker wear of the chain and the roller/wheel. Under these conditions, the definition of the installation is the responsibility of the machine manufacturer.

- The hardness of the roller/wheel should be able to resist wear caused by pivoting under the load of the chain plates at the moment of its arrival on the roller and when it leaves. As a guide, the hardness should be somewhere between 300 et 400 HB.

Using roller chains in lifting, please consult us. It is to be noted however, that in the majority of cases multiplex chains should be planned for.

3 – CONVEYING

- Number of teeth per wheel: conveyor chains generally have a pitch large enough to enable accessories to be fitted to the plates, hence the designer will want to reduce the number of teeth on the wheel in order to limit its dimensions. The polygonal effect becomes noticeable when the wheel contains 12 teeth or less, or perhaps more when the rotation speed is significantly high. For particular cases consult us.
- Adjustment of shaft center: The shaft center should be adjustable in order to make chain assembly simpler, to adjust the slack on a section of chain, and its tension, and finally so as to be able to keep up with the normal lengthening of the chain over the duration of its life time. A screwed tensioning device is usually used but automatic systems can equally be employed.



Warning !

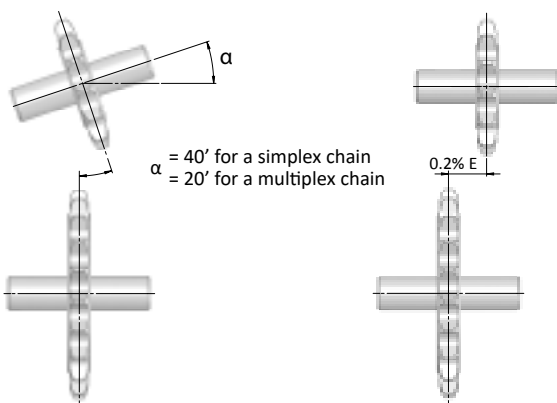
the chain must not be stretched; an excess of tension will lead to accelerate wear of the chain and eventually of the bearing surface. The tensile force should not exceed 1% of the ultimate tensile strength of the chain.

- Strand supports and guides: the tensioned strand which generally carries the load is supported by a guiding surface while sliding or rolling. Flanged rollers should be used when the shaft center distance is large or when there is a transversal force.
- The catenary strand can be supported by sliding because it sees less load. The only case where no support is needed is when the pitch circle diameter is small, because then the catenary force becomes prohibitive for the large pitch diameter. In any case, the slack should not exceed 0,4% of the shaft center. This condition can result in a tension force that is too great, if the chain strand is not supported.
- Engagement of the two chain strands on the wheels should be carried out with extreme care: the rail guide should be perfectly aligned with the teeth and should be rounded off at the end of the guide in order to facilitate chain entry.

DRIVE ACCURACY

1 – TRANSMISSION

- **Defects in shaft parallelism** should be less than 40' for a simplex chain and 20' for a multiple row chain.
- **Defects in alignment** must be less than 0,2% out of line of the shaft centers. This limit falls to 0,1% for rapid transmissions. If it is impossible to avoid transverse shaft movement, the sprockets must be aligned in a median position.



parallelism tolerance

alignment tolerance

Sprocket alignment is especially important for multiple strand chains, because of their reduced transverse flexibility.

The consequences of geometry defects are:

- A noisy and vibrating transmission,
- A side wearing of the sprocket teeth and/or the chain inner plates,
- Stresses which may lead to the complete destruction of the chain,
- Improper distribution of the forces on the chain plates when resistance and particularly fatigue limit can be considerably reduced.
- Sprocket teeth concentricity and runout tolerances lies within limits laid down by the standard ISO 606 and should not be altered by assembly (for example when keying a sprocket to a shaft).
- The rigidity of assembly should be such that sprockets alignment and shaft parallelism are not affected by driving forces of the chain when operating.

PRACTICAL ADVICE

2 – LIFTING

- Defects in the alignment and parallelism of fixings and counter motion apparatus should be reduced as much as possible.

3 – CONVEYING

- **Defects in wheel alignment** (with b_1 : inner width of the inner link of the chain) :
 $b_1 \div 2$ for lengths below 10 meters and b_1 for lengths above 10 meters
- **Defects in the parallelism of tooth plane:** The wheels must be parallel ($< 40'$).
- When two chains are working in parallel and are joined together with cross bars or with accessories, the chains should be ordered **MATCHED**.

LUBRICATION

1 – THE ROLE OF LUBRICATION

- To introduce lubricating fluid between contacting surfaces (pin/bush, pin/plate, bush/roller, inner linkplate/ outer linkplate, etc.) to reduce wear and to avoid joint seizure.
- To protect the chain against corrosion.
- To reduce noise by introducing the lubricant between surfaces subject to shock loading.
- To transfer heat, generally by contacting moving components.

2 – FACTORY LUBRICATION LUB+ ALLOWS:

The chain to be protected against corrosion until it is installed by the user, provided it is not exposed to the elements. Pre-lubrication remains effective six months for chains stored under shelter. It should be complemented with lubrication by the user's maintenance department as soon as the drive is started up. Note pre-lubrication is compatible with all mineral oils. We are able to propose suited lubrications depending on your specific constraints.

3 – LUBRICATION METHOD

This should be chosen according to the criteria and characteristics of the installation, depending on its use. There are 4 main ways of applying lubrication:

- 1- manual lubrication (by brush or oil can),
- 2- continuous drip feed lubrication,
- 3- chain passing through an oil tank,
- 4- pressure lubrication by spraying (with filtering and oil cooling if necessary).

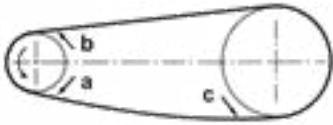
In power transmission, any of these four methods can be used, although the choice depends on the type and speed of the chain. When lifting or conveying, manual or continuous drip lubrication is usually employed, although automatic brushes can equally be used.



4 – FREQUENCY OF LUBRICATION

Quantity of lubricant and frequency of lubrication should be established with care and according to the specifications of lubricant and lubrication devices manufacturers.

5 – WHERE LUBRICATING ?



a and c : recommended areas

- **Longitudinally**, in an area where the chain load is low in order to help the lubricant penetration,
- **Transversally**, between the plates to feed the lubricant towards the joints and between the inner plates, the rollers and the wheels.

6 – SUITABLE LUBRICANTS ACCORDING TO OPERATING CONDITIONS

In general a good quality clean mineral oil, free from detergent is suitable. Its viscosity must suit the ambient temperature shown in the table hereafter.

Temperature (°C)	Recommended viscosity: ISO VG (Cst)
$-15 < T < 0$	15 to 32
$0 < T < 50$	46 to 150
$50 < T < 80$	220 to 320

The operator must achieve a compromise between a low viscosity lubricant which would centrifuge off the chain without properly lubricating it, and a substance with too high viscosity, which would prevent the lubricant reaching contacting surfaces.

For special cases, and in particular where lubrication is impossible, please contact us.

Unless recommended by us, the use of grease is completely prohibited.

PRODUCT IMPLEMENTATION – SAFETY

1 – STORAGE, HANDLING

The storage of products before their assembly onto the installation should be such that their initial quality is retained. In particular, the following rules must be obeyed:

- **Keep products away from a damp, corrosive or dusty atmosphere or where they may come into contact with harmful chemicals,**
- Protect against mechanical damages or accidents,
- Do not exceed the stipulated storage period suitable with the original factory lubrication (read 3.2)

The product should be handled with care, and operators should be advised on how to avoid its deterioration. In particular, shocks and forces applied perpendicular to the linkplates can cause kinks in the chain.

2 – ASSEMBLY

Before using the chain, it must be ensured that the quality of the installation conforms to advice given here above (read 1 – general design of the installation). When all the checks have been made, adjust chain length.

When assembling, the following safety rules should be obeyed:

- Wear safety glasses, safety gloves and safety shoes.
- Remove motor fuses, clamp motor starters of I.C. engines etc., to ensure no accidental premature start up.
- Use suitable, good quality tools.

In addition, the following applies to all chain drive installations:

- Take care when unrolling the chain, not to twist it.
- Chain must be properly handled to protect the chain itself or some of its components from damage.
- Transverse forces during assembly must be controlled by guides to avoid deforming the chain.
- Place the connecting link on the slack strand and take notice to fit it the right way.
- Do not fit new links into a worn chain or a new chain onto worn sprockets.
- When a link is damaged, replace it completely, and not just the damaged part. Change any link which may have been accidentally heated by a blow lamp or torch near the chain.

PRACTICAL ADVICE

3 – OPERATION

Before starting-up, check:

- the connecting link assembly, the fitting of spring clips with the closed end pointing in the direction of chain travel, that nuts are properly tightened and that there are no tight joints.
- the absence of nuts, tools and spanners on the chain or trapped in the installation.

Upon starting-up:

- start off slowly and gradually, keeping a close watch during the first revolution or first cycle of the process,
- run the drive under a light load or none at all for a while,
- check the complete drive after a few hours or days of use,
- check that the forces on the chain are like those in the calculation used for the chain selection,
- The state and position of the lubricant nozzles should be checked. The color and degree of lubricant contamination enables the efficiency of the lubricant to be measured, and also whether it is sufficient and when it should be renewed. If this is the case, apply once again or empty the installation using a lubricant of the same quality or superior quality. First it is necessary to get rid of the lubricant and clean the chain in order to get rid of deposits of dirty oil which could prevent the lubricant from penetrating the contacting surfaces (between the plates).

MAINTENANCE

In a well assembled construction that is correctly lubricated, maintenance is restricted to ensuring that the whole assembly and lubrication methods remain satisfactory.

Periodic check:

- The installation geometry, and particularly the sprocket alignment and tooth wear,
- The state of the chain, particularly to detect traces of rubbing indicating a geometrical failure or accidental structural contact and to assess the amount of wear:
 - wear of the chain articulations is measured directly by its length (using a measuring instrument or a control ruler), either by appreciation or measurement of its slack or moving the tensioning device,
 - wear of the linkplates of leaf chains,
 - wear of the rollers and wheels.
- If necessary, find out the cause of wear and rectify it. If it is necessary to change a sprocket or a chain due to excessive wear (more than 2% for the length of a chain, or more than 5% for the height of the plate), then it is better to change both the chain and sprocket or rollers at the same time.



Warning !

Given the high resistance of its components, the chain is susceptible to being weakened by hydrogen. Oxidising and corrosive environments must therefore be avoided.

An acidic environment is also to be avoided at all costs. The most stringent precautions should be taken when removing grease from the chain.

All superficial treatments to the chain, and in particular electrolytic treatments, are to be avoided.

For these types of environments, consult us for an eventual solution.

CHAIN LENGTH ADJUSTMENT - SHORTENING

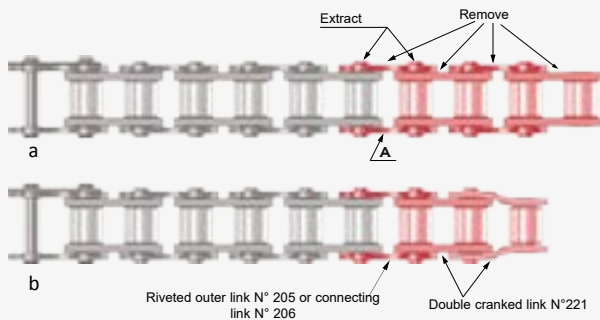
If the installation does not involve adjusting the shaft center of the slack section, chain adjustment should be carried out either at the beginning, or after normal wear has occurred. Leaf chains and conveyor chains do not contain offset link.

Read directly «chains with an even number of pitches».

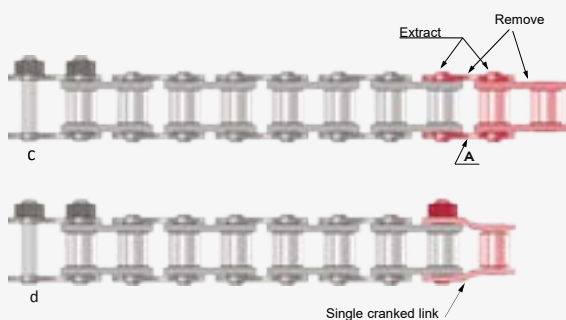
Chains with an even number of pitches

SHORTENING BY ONE PITCH○ **Chain up to and including 25,4 mm pitch.**

first remove four pitches of chain from one end, that is two inners and two outers by extracting outer link A (Fig.a). Then fit a double offset link N°221, a spring clip connecting link N° 206 or a riveting outer link N°205 (Fig.b).

○ **Chain with a pitch of 31,75 mm or above.**

first remove two pitches of chain from one end, that is one inner and one outer link by extracting the outer link A (Fig.c). Then fit a single offset link (Fig.d).

**SHORTENING BY TWO PITCHES**

Remove two pitches from one end, that is an inner and outer link by extracting the outer link A.



Chains with an odd number of pitches

SHORTENING BY ONE PITCH○ **Chain of pitch up to and including 25,4mm:**

The chain ends with an offset link. Remove the cranked link.

○ **Chain with pitch of 31,75mm or above:**

The chain ends with a single offset link which also serves as a connecting link. Extract the the outer link A and replace it with a connecting link N° 209 to reassemble the chain.

**SHORTENING BY TWO PITCHES**○ **For all chains.**

Extract one inner link removing the outer link at the opposite end of the offset link.

NOTE: Leaf chains and conveyor chains don't have any crank links, as a consequence they are only concerned by the shortening of 2 pitches.



SEDIS RANGES



DELTA® HR

**FOR SEVERE WORKING CONDITIONS
(ABRASION, SHOCKS, JERKS)**

BS & ASA chains with high resistance to abrasion and wear:

TECHNICAL SPECIFICATIONS:

- DELTA® articulations
- Shot peened plates
- Preformed bi-conic bushes
- Solid rollers
- Chains pre-tensioned at 30-45% of the breaking load
- New generation pre-lubrication with technical wax from 12.7mm to 25.4mm pitch (08B to 16B)
- Other chains are pre-lubricated with initial plant lubrication



SERVICES:

- **Technical assistance** (analysis of the customer's specifications, definition and recommendation)
- **Adaptations** (attachments, extended pins...) and development of **specific products** on request
- **Matched pairs** on request for chains working in parallel
- Lubrication with **food wax** on request
- Cut and manufacture of **chains of any length**
- Many references **available in stock**

DELTA® TITANIUM 2

RESISTANCE IN CORROSIVE ENVIRONMENTS

BS & ASA chains with high resistance to abrasion, wear and corrosion:

TECHNICAL SPECIFICATIONS:

- DELTA® Articulations
- Shot peened plates and coated with a GEOMET® treatment
- Solid rollers coated with a GEOMET® treatment
- Chains pre-tensioned at 30-45% of the breaking load
- New generation pre-lubrication with technical wax from 12.7mm to 25.4mm pitch (08B to 16B)
- Other chains are pre-lubricated with initial plant lubrication



SERVICES:

- **Technical assistance** (analysis of the customer's specifications, definition and recommendation)
- **Adaptations** (attachments, extended pins...) and development of **specific products** on request
- **Matched pairs** on request for chains working in parallel
- Lubrication with **food wax** on request
- Cut and manufacture of **chains of any length**
- Many references **available in stock**

CHAINES VERTES

(«Green» chains) A MAINTENANCE-FREE RANGE

TECHNICAL SPECIFICATIONS:

LUB FREE VERTE chains:

Anticorrosion BS chains from 12.7mm to 25.4mm pitch with sintered bushes:

- Pins with hard surface treatment
- Nickel plated plates and solid rollers
- Sintered bushes
- Dry, non-abrasive ambience
- Sprocket with treated and lubricated teeth

DELTA® VERTE® chains:

BS anticorrosion chains with composite bushes of 12,7mm pitch, and from 31.75mm to 25.4mm pitch

- DELTA® Articulations
- Shot peened and GEOMET® treated plates
- GEOMET® treated solid steel rollers (or in composite on demand)
- Composite bushes admitting functioning in water or humid environments
- Sprocket with treated and lubricated teeth



SERVICES:

- **Technical assistance** (analysis of the customer's specifications, definition and recommendation)
- **Adaptations** (attachments, extended pins...) and development of **specific products** on request
- **Matched pairs** on request for chains working in parallel
- Cut and manufacture of **chains of any length**
- Many references **available in stock**



ALPHA Premium

A HIGH QUALITY CHAIN WITH PROVEN RESULTS

High Quality BS and ASA chains :

TECHNICAL SPECIFICATIONS:

- Case hardened articulations
- Shot peened plates
- BS chains: Preformed bi-conic bushes
ASA chains : Solid bushes
- Solid rollers
- Chains pre-tensioned at 30-45% of the breaking load
- New generation pre-lubrication with technical wax from 12.7mm to 25.4mm pitch (08B to 16B)
- Other chains are pre-lubricated with initial plant lubrication



SERVICES:

- **Technical assistance** (analysis of the customer's specifications, definition and recommendation)
- **Adaptations** (attachments, extended pins...) and development of **specific products** on request
- **Matched pairs** on request for chains working in parallel
- Lubrication with **food wax** on request
- Cut and manufacture of **chains of any length**
- Many references **available in stock**

ALPHA Premium STAINLESS STEEL

AN IMPROVED RANGE FOR BETTER WEAR RESISTANCE AND HIGHER BREAKING LOADS !

These chains are designed to work in a food application, or in aggressive chemical environments, :

TECHNICAL SPECIFICATIONS:

From 08B to 16B :

- Pins and plates in stainless steel series 300
- Solid bushes in stainless steel series 300
- Extruded rollers in stainless steel series 300
- Chains pre-lubricated with H1 food wax or other lubrication on request

Other chains of the range :

- Articulations and plates in Stainless steel series 300
- Solid rollers in stainless steel series 300
- Chains without initial lubrication or lubrication on request



SERVICES:

- **Technical assistance** (analysis of the customer's specifications, definition and recommendation)
- **Adaptations** (attachments, extended pins...) and development of **specific products** on request
- **Matched pairs** on request for chains working in parallel
- Cut and manufacture of **chains of any length**
- Many references **available in stock**



RECORD®

SEDIS EXPERTISE FOR YOUR STANDARD APPLICATIONS

Chaînes BS & ASA :

TECHNICAL SPECIFICATIONS:

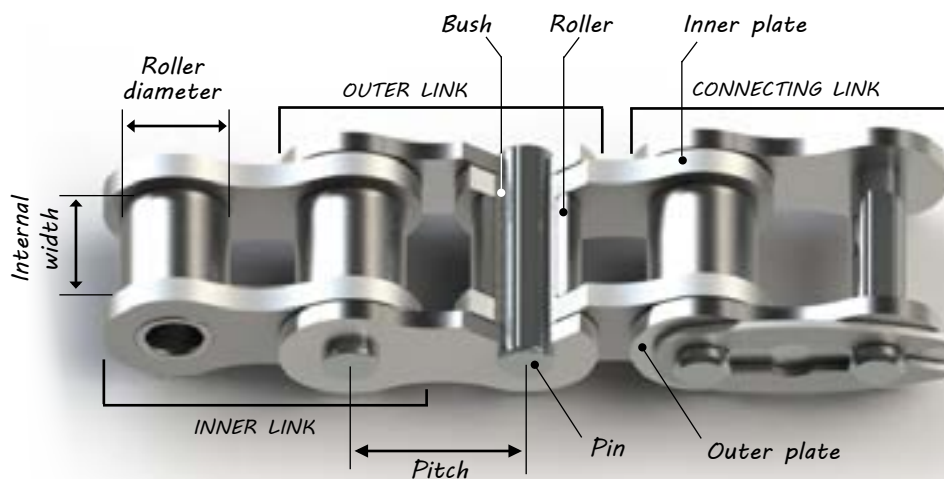
- Shot peened plates
- Solid cold extruded roller
- Chains pre-tensioned at 30% of the breaking load
- Chains pre-lubricated with initial plant lubrication



SERVICES:

- Chains cut **in any length**
- Many references **available in stock**

CONSTITUENT PARTS OF POWER TRANSMISSION ROLLER CHAIN



MANUFACTURING

SEDIS chains, both standard and non-standard, are made of:

- **High quality steels:** dimensions and adapted chemical composition for the different chain parts
- **The most efficient manufacturing processes:**
 - Special technique for the production of bushes improving the chain wear resistance (**SEDIS** know-how)
 - Plates produced by multi-stage processing tools ensuring a regular pitch (**SEDIS** technology)
- **Adequate mechanical and heat treatments of chain parts:**
 - Shot peening
 - Surface finishing
 - Case hardening, carbonitriding, quenching, tempering ...
 - DELTA® treatment
 - Freezing treatment
 - Corrosion protection coatings (GEOMET, zinc, nickel plating, ...)

QUALITY



SEDIS is certified ISO 9001 since 1989:

- First chain manufacturer in the world to be certified ISO 9001
- Eleventh French company to be certified ISO 9001

Certified ISO 9001:2015 by Bureau Veritas

A sign of confidence for our customers

The **Sedis** chains are constructed with special specifications in order to fit with a wide range of industrial applications. They are designed in order to:

- 1- Resist to **WEAR** (Elongation)
- 2- Resistance to **FATIGUE** (progressive plate breaking) and to **TRACTION** (brutal load breaking of plates or bearing pins)
- 3- Resist to **CORROSION**
- 4- Use **WITHOUT LUBRICATION**

SEDIS uses the most efficient manufacturing processes, special steels and appropriate mechanical treatments, heat treatments and thermochemical treatments to be able to offer its clients products which are perfectly adapted to a wide range of industrial applications.

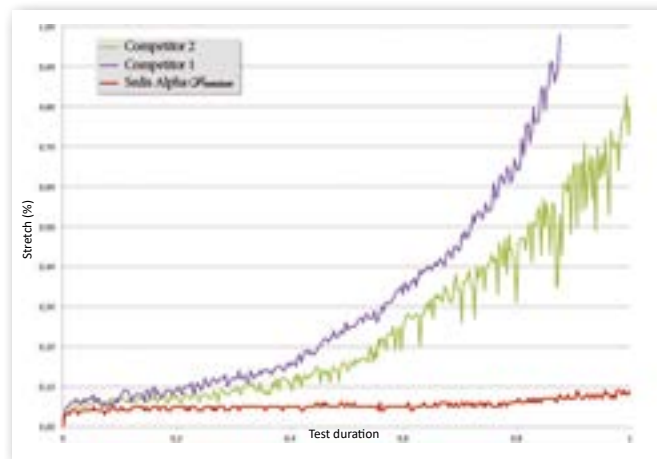
WEAR (ELONGATION)

A new generation wax for our *Alpha Premium* and *DELTA®* range

SEDIS has selected for their *Delta®* and *Alpha Premium* core range (from 12.7mm to 25.4mm pitch) a new **high performance wax** offering an **enhanced anti-wear protection**, and which can work at a temperature from -30°C to 130°C.

This wax which has a thick viscosity not in use, liquefy in operation to be perfectly spread in the articulations (thixotropic specification of wax). It then **limits frictions and allows much longer lubrication intervals compared to a standard lubrication** (less losses of lubricant by ejection). It also allows the SEDIS chains to have a much higher wear resistance than competitors' chains).

During maintenance, our wax is compatible with usual chain lubricants.



Wear of a SEDIS Alpha Premium ASA 50-1 compared to two competitors' chains

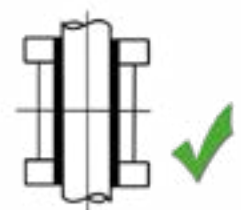
Preformed bi-conic bushes

We use **preformed bi-conic** bushes on our chains. Contrary to non-preformed bushes which undergo a "barrel" distortion, the working surface of preformed bushes is increased for **a uniform distribution of mechanical loads**, what improves wear resistance (see drawing on the right).

Non-preformed bush



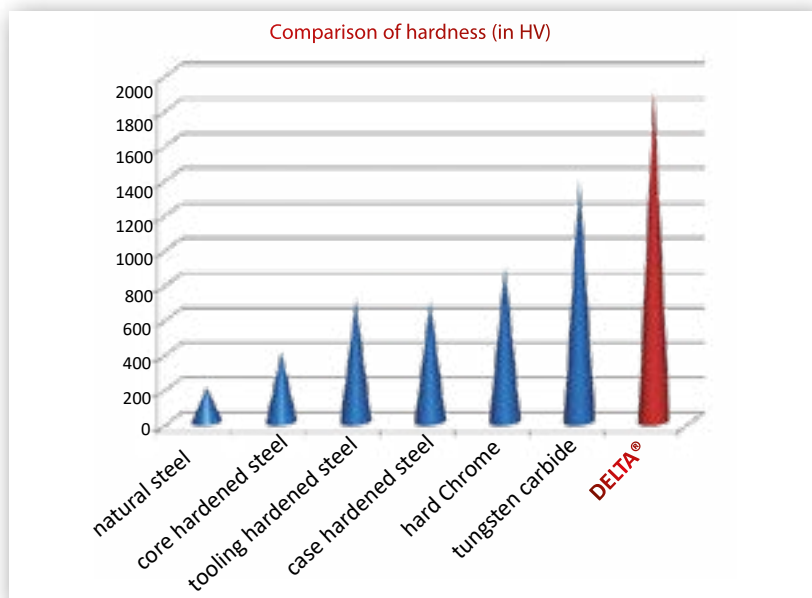
Preformed bush



SEDIS SPECIFICATION

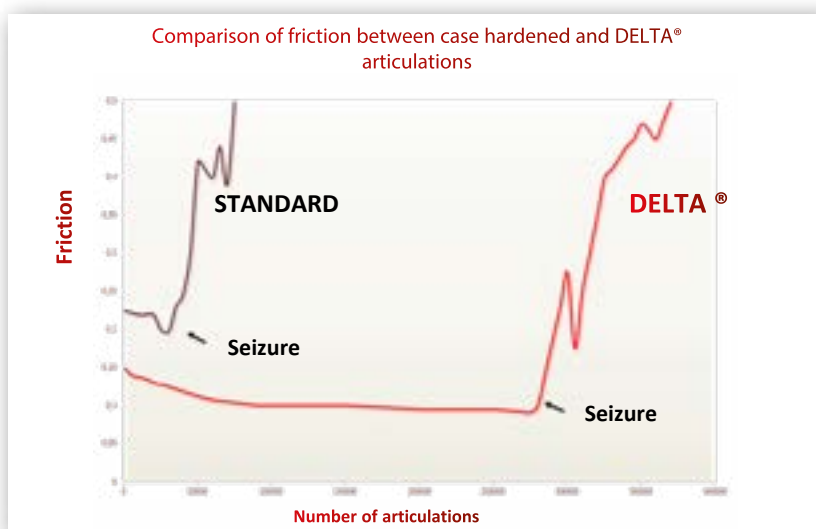
DELTA® range and DELTA® treatment:

The thermo-chemical treatment invented and realized by **SEDIS** results in very high resistance against wear and oxidation of the articulation. This resistance is achieved thanks to the surface hardness of the DELTA® treated articulations which is much higher than hardness obtained by usual case hardening (see graph below).



SEDIS IS THE ONLY MANUFACTURER TO MASTER ANTI-WEAR TREATMENTS ON LARGE DIAMETER PINS

The friction coefficient of **DELTA®HR** articulations is lower than the one of standard articulations (case hardening, carbonitriding, ...). The hardness and the particular chemical affinity of **DELTA®HR** articulations **delay the appearance of seizure** (see figure below).



Thanks to the higher hardness, a low coefficient of friction and a compatible chemical affinity, **DELTA® HR** have a **longer lifetime compared to standard chains**, especially in severe applications (abrasion, shocks, jerks...) These particular specifications allow **DELTA®** chains to **transmit superior powers**.

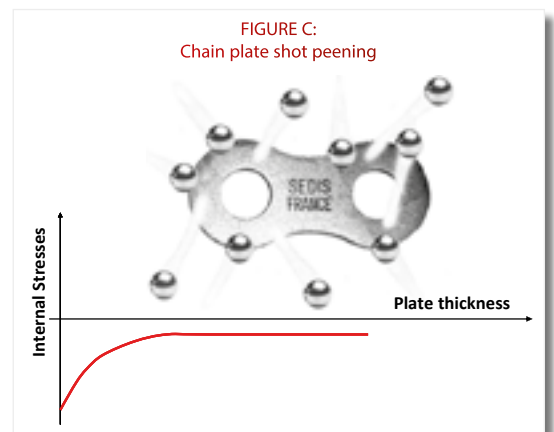
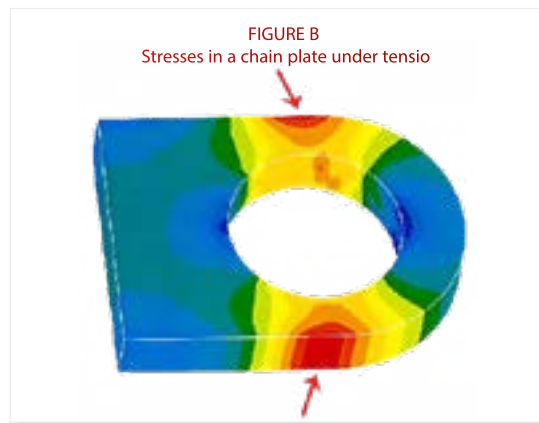
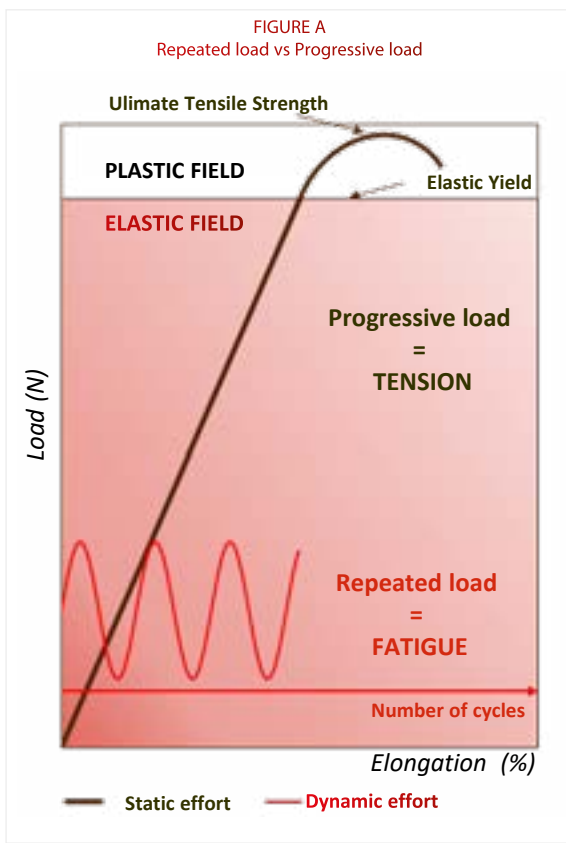
FATIGUE & TENSILE BREAKING

During normal operating, chains are working in the elastic field (see figure A below). The chain is held in tension in a repeated way under an effort located in an elastic level (red curve in figure A). The consequence of such sollicitation is the creation and propagation of cracks in the area where the maximum stresses are located (red zones in figure D below).

The **SEDIS ALPHA Premium** et **DELTA® HR** chains are designed in order to combat fatigue thanks to the use of:

- special steels chosen according to special chemical and mechanical specifications,
- optimised heat treatments to obtain the maximum plate strength as well as the plate ductility to combat fatigue,
- plate Shot Peening to also improve plate fatigue strength. The shot peening allows the creation of compressive stresses in the plates to avoid the creation and propagation of fatigue cracks (see figure C below).

The shot peening is a projection of steel balls on chain plate with controlled intensity and speed. It allows an improvement of an extra 20% fatigue strength of plates.



Thanks to a rigorous selection of material, heat treatments and shoot peening done on our Alpha Premium and Delta® chains:

Resistance to traction is on average 20% higher to ISO norms

Performances in terms of resistance to shocks and fatigue are HIGHER TO THE BEST CHAINS IN THE WORLD

SEDIS SPECIFICATIONS

CORROSION

The chains ALPHA Premium **STAINLESS STEEL**

Alpha Premium Stainless steel chains are manufactured with high quality stainless steels. Stainless steel having quite a poor mechanical resistance compared to carbon steel, the chains wear more quickly and have a rather short lifetime. That's why Sedis has integrated to their range specific treatments which enable to get **stainless steel with increase surface hardness**. The Alpha Premium BS STAINLESS STEEL chain offers therefore **an increased breaking load up to 33%** compared to the previous range, and up to **20% more than the other quality chains** of the market.

Wear resistance has also been improved especially thanks to the integration of **solid bushes** and to an **initial H1 food lubrication**. Tests have demonstrated that it allows to **reduce wear by 2** compared to a top range stainless steel chain.

For more demanding applications, and in particular when an important **resistance to traction is needed**, these chains can be substituted by **DELTA® TITANIUM 2** chains, which benefit from the **DELTA® treatment** against wear, and the **GEOMET® treatment against corrosion**. However, in case of direct contact with food or cleaning products as foams, solvents, oxidants, it is advised to consult us in order to select with you the most adapted product to your application.

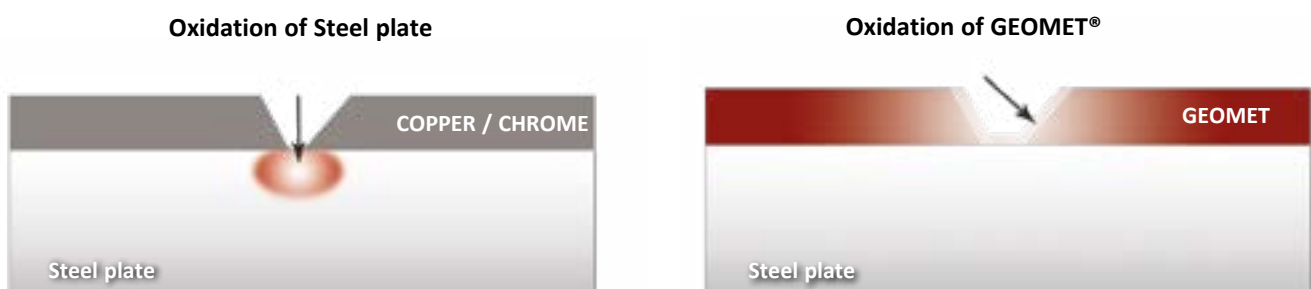
DELTA® TITANIUM 2 chains and GEOMET® treatment

The **DELTA® TITANIUM 2** chains are designed on the basis of **DELTA® HR** chains which are characterized by **very high resistance to wear and abrasion**. On top of that, the constitutive metallic components are **protected against corrosion** thanks to a protecting **GEOMET** coating.

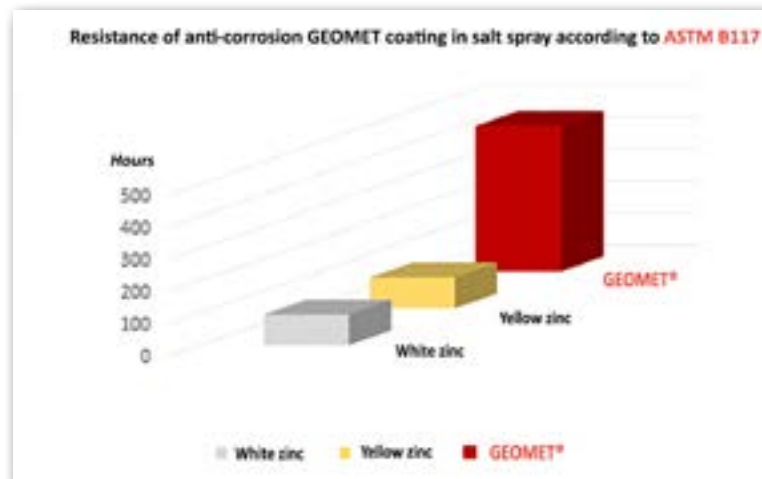
GEOMET® is a water-based coating composed of layers of zinc and aluminum, **100% hexavalent chrome free**. It guaranties protection of metallic surfaces by:

- **Barrier effect:** the superposition of slices of zinc and aluminum constitutes an excellent barrier between the steel substrate and the corrosive environment.
- **Sacrificial protection: Zinc oxidizes instead of steel.**

On the below figure, we can compare the cathodic protection of **GEOMET®** with the total protection of coatings like Chrome or Copper or any other material nobler than iron.



In the conditions of test in salt spray, GEOMET® treatment used on DELTA® TITANIUM 2 chains has much longer resistance to corrosion. Indeed red rust only appears after 450 hours compared to 100 hours for bi-chromate zinc plated chains (see figure below).



Thanks to their superior resistance to wear, they guarantee **a much longer lifetime** than a stainless steel chain. **DELTA® TITANIUM 2** chains should be preferably used in neutral ambience (pH between 5 and 9). The temperature range of use is between -30 and 130°. We have solutions for different temperatures, don't hesitate in consulting us for further information.

THE ADVANTAGES OF THE TREATMENT

*Maximum protection in thin layer
Control of the coefficient of friction
Absence of Hydrogen embrittlement*



NOTE: *In order to ensure optimum protection against corrosion of DELTA® TITANIUM 2 chains it is strictly forbidden:*

- DELTA® TITANIUM chains are not compatible with **stainless steel sprockets**. They can be used with in carbon steel, zinc-plated, bi-chromate zinc-plated sprockets or sprockets with **GEOMET®** protection (consult us).
- DELTA® TITANIUM chains are not compatible with any attachments or **other additional elements made from stainless steel or containing copper** (bronze, brass).
- DELTA® TITANIUM chains are not compatible with chain **guides made from stainless steel, brass or other materials containing Copper**.

SEDIS SPECIFICATIONS

LUBRICATION FREE

In a number of applications where lubrication of the chain is difficult or even impossible, SEDIS brings the solution with their lubrication-free **VERTE® chains**. A standard chain will have a limited lifetime if it is not properly lubricated. The solution is therefore **lubrication-free chains**, which works without any oil added externally.

They allow:

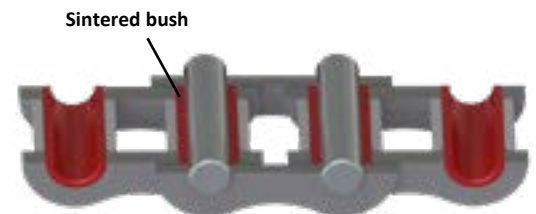
- **To avoid lubrication maintenance** when it is difficult or impossible for different reasons (shapes, inaccessibility...),
- **To avoid risk of oil projection** which can damage the transported items,
- **To operate in humid environments** (especially for DELTA VERTE® chains)
- **To limit the risk of fire** if oil can be in contact with flame or products at high temperature (like escalators),
- **To diminish the risk of pollution** by lubrication,
- **To reduce the maintenance global costs** (economy of the maintenance system)

LUBE FREE VERTE CHAIN:

The principle of lubrication free is based on the use of **sintered bush** which is impregnated with oil, allowing the dispensing of oil during the functioning of the chain. The pins undergo a hard surface treatment, the rollers are solid and the components are nickel-plated against corrosion.

The chain is used in the following conditions:

- 1- Temperature of use: between -5° and 80°C
- 2- Non abrasive & non humid environment
- 3- Treated and greased sprockets



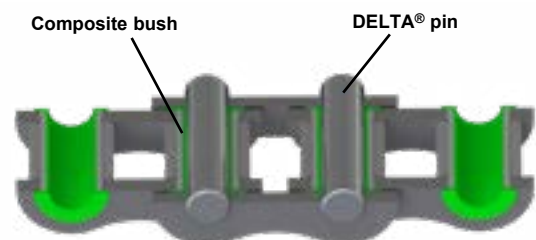
LUB FREE VERTE Chain

DELTA® VERTE CHAINS (GREEN CHAIN):

The principle of non lubrication is based on the use of **composite bush** inserted between bearing pin and steel bush. The composite bush is made of self lubricant solid material which allows the chain to operate without oil. The bearing pin is **DELTA®** and the other metallic parts (plates, steel bush and roller) are protected against corrosion using the **GEOMET** coating.

The chain is used in the following conditions:

- 1- Temperature of use: between -30° and 80°C
(consult us for temperatures above 80°C as composite is specific and admissible pressures are different)
- 2- Functioning in a humid environment or in presence of water
- 3- Treated and greased sprockets
- 4- Non abrasive environment, with a PH between 5 and 9.
- 5- In the case where the **DELTA®VERTE** chain is used in conveying (loaded rollers), consult us for the use of composite rollers in place of steel rollers



DELTA® VERTE chain

NOTE: for an optimum protection against corrosion of DELTA VERTE® chains:



○ **DELTA® TITANIUM** chains are not compatible with **stainless steel** sprockets. They can be used with in carbon steel, zinc-plated, bi-chromate zinc-plated sprockets or sprockets with **GEOMET®** protection (consult us). **Use preferably heat treated teeth**. Do not forget to lubricate the sprockets in use to avoid rapid wear. In some cases, it is possible to use sprockets or screwed teeth made of plastic material when the sprocket lubrication is forbidden. Consult us.

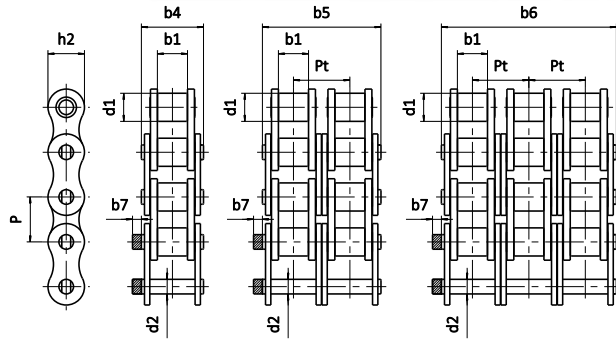
○ **DELTA® TITANIUM** chains are not compatible with any attachments or other additional elements made from **stainless steel or containing copper** (bronze, brass).

○ **DELTA® TITANIUM** chains are not compatible with **chain guides made from stainless steel, brass or other materials containing Copper**.

ROLLER CHAINS



BS Chains - European Series - Delta® range



GENERAL CHARACTERISTICS

These chains designed for use in high power transmission systems comply with international standards: ISO 606.

These chains correspond to the following national standards:
 - British Standard BS 228
 - German Standard DIN8187

In these conditions, our chains are interchangeable with all other chains produced to the quoted standards.



References		SEDIS DELTA® RANGE					General dimensions (mm)							Résistance à la traction					Mass per meter	
ISO 606	SEDIS	Pitch P	DELTA® HR	DELTA TITANIUM 2	VERTE	d1	b1	b4 b5 b6	d2	h2	Pt	b7	NORME ISO 606	DELTA® HR	DELTA TITANIUM 2	LUB FREE VERTE	DELTA® VERTE	kg		
																				max.
SIMPLE	06B-1	3ND	9,525	x	x	(1)	6,35	5,77	12,50	3,28	8,20	.	2,1	8,9	9,0	10,3	9,0	.	.	0,40
	08B-1	7ND	12,7	x	x	(1)	8,51	7,75	16,60	4,45	11,80	.	1,5	17,8	18,2	20,4	18,2	18,2	16,6	0,68
	10B-1	11ND	15,875	x	x	(1)	10,16	9,65	19,00	5,08	13,70	.	1,5	22,2	23,0	27,2	23,0	23,0	18,6	0,86
	12B-1	13ND	19,05	x	x	(1)	12,07	11,68	22,30	5,72	16,20	.	1,5	28,9	30,5	34,8	30,5	30,5	30,5	1,18
	16B-1	15TD	25,4	x	x	(1)	15,88	17,02	35,10	8,28	20,80	.	3,0	60,0	75,0	87,0	75,0	66,0	66,0	2,66
	20B-1	17TD	31,75	x	x	(2)*	19,05	19,56	40,50	10,19	25,40	.	6,1	95,0	110,0	119,0	110,0	.	99,0	3,72
	24B-1	18TD	38,1	x	x	(2)*	25,40	25,40	53,10	14,63	32,30	.	6,6	160,0	180,0	198,0	180,0	.	160,0	7,05
	28B-1	20TD	44,45	x	x	(2)*	27,94	30,95	65,10	15,90	37,00	.	7,4	200,0	235,0	251,5	235,0	.	180,0	8,96
	32B-1	22TD	50,8	x	x	(2)*	29,21	30,99	63,60	17,81	42,30	.	7,9	250,0	300,0	321,0	300,0	.	228,0	10,00
40B-1	23TD	63,5	x	x	(2)*	39,37	38,10	79,00	22,89	52,80	.	12,0	355,0	365,0	383,3	365,0	.	365,0	16,20	
48B-1	24TD	76,2	x	x	(2)*	48,26	47,70	98,60	29,22	64,20	.	23,7	560,0	600,0	630,0	600,0	.	.	24,93	
DUPLIX	06B-2	203ND	9,525	x	x	(1)	6,35	5,77	23,10	3,28	8,20	10,24	2,1	16,9	17,6	21,1	17,6	.	.	0,74
	08B-2	207ND	12,7	x	x	(1)	8,51	7,75	30,60	4,45	11,80	13,92	1,5	31,1	36,4	40,8	36,4	36,4	33,2	1,33
	10B-2	211ND	15,875	x	x	(1)	10,16	9,65	35,75	5,08	13,70	16,59	1,5	44,5	46,0	54,4	46,0	46,0	46,0	1,70
	12B-2	213ND	19,05	x	x	(1)	12,07	11,68	41,80	5,72	16,20	19,46	1,5	57,8	61,0	69,5	61,0	61,0	61,0	2,35
	16B-2	215TD	25,4	x	x	(1)	15,88	17,02	68,00	8,28	20,80	31,88	3,0	106,0	150,0	174,0	150,0	132,0	132,0	5,28
	20B-2	217TD	31,75	x	x	(2)*	19,05	19,56	77,00	10,19	25,40	36,45	6,1	170,0	220,0	239,8	220,0	.	198,0	7,36
	24B-2	218TD	38,1	x	x	(2)*	25,40	25,40	101,80	14,63	32,30	48,36	6,6	280,0	360,0	396,0	360,0	.	320,0	13,85
	28B-2	220TD	44,45	x	x	(2)*	27,94	30,95	124,70	15,90	37,00	59,56	7,4	360,0	470,0	502,9	470,0	.	360,0	18,80
	32B-2	222TD	50,8	x	x	(2)*	29,21	30,99	122,80	17,81	42,30	58,55	7,9	450,0	600,0	642,0	600,0	.	456,0	19,90
40B-2	223TD	63,5	x	x	(2)*	39,37	38,10	152,00	22,89	52,80	72,29	12,0	630,0	730,0	766,5	730,0	.	730,0	32,08	
48B-2	224TD	76,2	x	x	(2)*	48,26	47,70	190,40	29,22	64,20	91,21	23,7	1 000,0	1 200,0	1 260,0	1 200,0	.	.	49,50	
TRIPLEX	06B-3	303ND	9,525	x	x	(1)	6,35	5,77	33,00	3,28	8,20	10,24	2,1	24,9	26,4	31,6	26,4	.	.	1,10
	08B-3	307ND	12,7	x	x	(1)	8,51	7,75	44,60	4,45	11,80	13,92	1,5	44,5	54,6	61,2	54,6	54,6	49,8	1,96
	10B-3	311ND	15,875	x	x	(1)	10,16	9,65	52,30	5,08	13,70	16,59	1,5	66,7	69,0	81,6	69,0	69,0	69,0	2,51
	12B-3	313ND	19,05	x	x	(1)	12,07	11,68	61,40	5,72	16,20	19,46	1,5	86,7	91,5	104,3	91,5	91,5	91,5	3,48
	16B-3	315TD	25,4	x	x	(1)	15,88	17,02	99,90	8,28	20,80	31,88	3,0	160,0	225,0	261,0	225,0	198,0	198,0	7,86
	20B-3	317TD	31,75	x	x	(2)*	19,05	19,56	113,50	10,19	25,40	36,45	6,1	250,0	330,0	359,7	330,0	.	297,0	11,00
	24B-3	318TD	38,1	x	x	(2)*	25,40	25,40	150,20	14,63	32,30	48,36	6,6	425,0	540,0	594,0	540,0	.	480,0	20,31
	28B-3	320TD	44,45	x	x	(2)*	27,94	30,95	184,60	15,90	37,00	59,56	7,4	530,0	705,0	754,4	705,0	.	540,0	28,00
	32B-3	322TD	50,8	x	x	(2)*	29,21	30,99	181,70	17,81	42,30	58,55	7,9	670,0	900,0	963,0	900,0	.	684,0	29,60
40B-3	323TD	63,5	x	x	(2)*	39,37	38,10	224,60	22,89	52,80	72,29	12,0	950,0	1 095,0	1 149,8	1 095,0	.	1 095,0	47,96	
48B-3	324TD	76,2	x	x	(2)*	48,26	47,70	281,60	29,22	64,20	91,21	23,7	1 500,0	1 800,0	1 890,0	1 800,0	.	.	80,20	
Special SEDIS Chains																				
-	2ND	9,525	x	x	(1)	6,35	4	10,48	3,28	8,18	.	2,1	.	9	10,3	.	.	.	0,35	
-	6ND	12,7	x	x	(1)	8,51	5,35	14,10	4,45	11,80	.	1,5	.	18,2	22,8	18,2	.	.	0,35	

(1): References in Lube Free Verte version. In DELTA® VERTE, consult us

(2): References available in DELTA® VERTE only

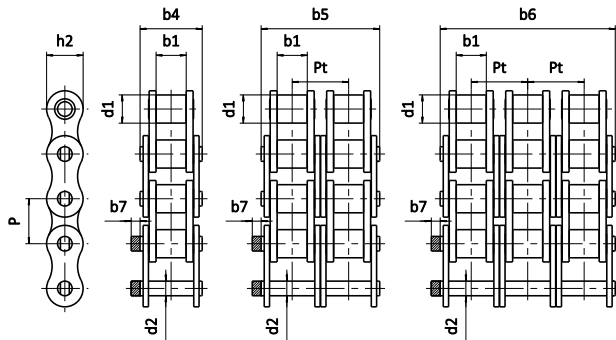
* The pin diameter and the working surface are different. Consult us for more details

For Verte chains, the use of sprockets with treated teeth is recommended.

Connecting links: Also available for some duplex and triplex chains

N° 200	N° 205	N° 206	N° 208	N° 209	N° 216	N° 217	N° 221
Inner link	External link to be riveted	Connecting link with spring clip	Cottered connecting link	Connecting link with self locking nuts	Single cranked cottered link	Single cranked link with self locking nuts	Double cranked link
Available for all chains		Available for pitches from: 9,525 to 31,75 mm	Available for pitches from: 25,4 to 76,2 mm	Available for pitches from: 25,4 to 76,2 mm	Available for pitches from: 25,4 to 63,5 mm	Available for pitches from: 31,75 to 63,5 mm	Available for pitches from: 9,525 to 25,4 mm

BS Chains - European Series - ALPHA Premium range



GENERAL CHARACTERISTICS

These chains designed for use in high power transmission systems comply with international standards: ISO 606 (short pitch chains) and ISO 1275 (long pitch chains).

These chains correspond to the following national standards:
 - British Standard BS 228 (short pitch chains)
 - German Standard DIN8187 (short pitch chains) and DIN8181 (long pitch chains)



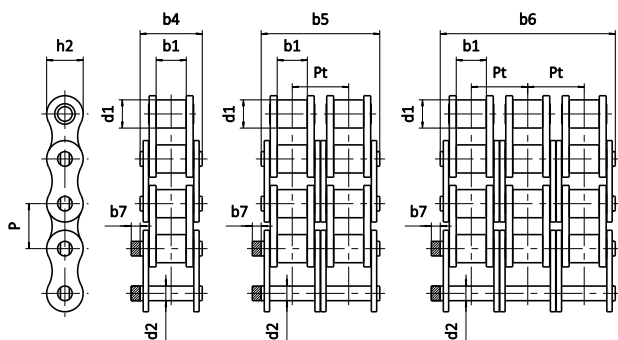
In these conditions, our chains are interchangeable with all other chains produced to the quoted standards.

References		ALPHA Premium				General dimensions (mm)						Ultimate Tensile Strength (kN)					Mass per meter kg
ISO 606	SEDIS	Pitch P	ALPHA Premium	ALPHA Premium INOX	d1 max.	b1 min.	b4 b5 b6 max.	d2 max.	h2 max.	Pt	b7 max.	ISO 606 min.	ALPHA Premium		ALPHA Premium INOX min. kN		
													min.	nom.			
SIMPLEX	06B-1	3N	9,525	x	x	6,35	5,77	13,50	3,27	8,23	.	2,1	8,9	9,0	10,3	6,3	0,40
	08B-1	7N	12,7	x	x	8,51	7,75	16,60	4,45	11,80	.	1,5	17,8	18,2	20,4	14,0	0,68
	10B-1	11N	15,875	x	x	10,16	9,65	19,00	5,08	13,70	.	1,5	22,2	23,0	27,2	17,6	0,86
	12B-1	13N	19,05	x	x	12,07	11,68	22,30	5,72	16,20	.	1,5	28,9	30,5	34,8	21,0	1,18
	16B-1	15T	25,4	x	x	15,88	17,02	35,10	8,26	20,80	.	3,0	60,0	66,0	87,0	43,0	2,66
	20B-1	17T	31,75	x		19,05	19,56	40,50	10,19	25,40	.	6,1	95,0	105,0	119,0	.	3,72
	24B-1	18T	38,1	x		25,40	25,40	53,10	14,63	32,30	.	6,6	160,0	180,0	198,0	.	7,05
	28B-1	20T	44,45	x		27,94	30,95	65,10	15,90	37,00	.	7,4	200,0	235,0	251,5	.	8,96
	32B-1	22T	50,8	x		29,21	30,99	63,60	17,81	42,30	.	7,9	250,0	270,0	321,0	.	10,00
40B-1	23T	63,5	x		39,37	38,10	79,00	22,89	52,80	.	12,0	355,0	365,0	383,3	.	16,20	
48B-1	24T	76,2	x		48,26	47,70	98,60	29,22	64,20	.	23,7	560,0	600,0	630,0	.	24,93	
DUPLIX	06B-2	203N	9,525	x		6,35	5,77	23,80	3,27	8,23	10,24	2,1	16,9	17,6	21,1	9,8	0,74
	08B-2	207N	12,7	x	x	8,51	7,75	30,60	4,45	11,80	13,92	1,5	31,1	36,4	40,8	28,0	1,33
	10B-2	211N	15,875	x	x	10,16	9,65	35,75	5,08	13,70	16,59	1,5	44,5	46,0	54,4	35,2	1,70
	12B-2	213N	19,05	x	x	12,07	11,68	41,80	5,72	16,20	19,46	1,5	57,8	61,0	69,5	42,0	2,35
	16B-2	215T	25,4	x	x	15,88	17,02	68,00	8,28	20,80	31,88	3,0	106,0	132,0	174,0	86,0	5,28
	20B-2	217T	31,75	x		19,05	19,56	77,00	10,19	25,40	36,45	6,1	170,0	210,0	239,8	.	7,36
	24B-2	218T	38,1	x		25,40	25,40	101,80	14,63	32,30	48,36	6,6	280,0	360,0	396,0	.	13,85
	28B-2	220T	44,45	x		27,94	30,95	124,70	15,90	37,00	59,56	7,4	360,0	470,0	502,9	.	18,80
	32B-2	222T	50,8	x		29,21	30,99	122,80	17,81	42,30	58,55	7,9	450,0	540,0	642,0	.	19,90
40B-2	223T	63,5	x		39,37	38,10	152,00	22,89	52,80	72,29	12,0	630,0	730,0	766,5	.	32,08	
48B-2	224T	76,2	x		48,26	47,70	190,40	29,22	64,20	91,21	23,7	1 000,0	1 200,0	1 260,0	.	49,50	
TRIPLEX	06B-3	303N	9,525	x		6,35	5,77	34,00	3,27	8,23	10,24	2,1	24,9	26,4	31,6	.	1,10
	08B-3	307N	12,7	x	x	8,51	7,75	44,60	4,45	11,80	13,92	1,5	44,5	54,6	61,2	42,0	1,96
	10B-3	311N	15,875	x	x	10,16	9,65	52,30	5,08	13,70	16,59	1,5	66,7	69,0	81,6	52,8	2,51
	12B-3	313N	19,05	x	x	12,07	11,68	61,40	5,72	16,20	19,46	1,5	86,7	91,5	104,3	63,0	3,48
	16B-3	315T	25,4	x	x	15,88	17,02	99,90	8,28	20,80	31,88	3,0	160,0	198,0	261,0	129,0	7,86
	20B-3	317T	31,75	x		19,05	19,56	113,50	10,19	25,40	36,45	6,1	250,0	315,0	359,7	.	11,00
	24B-3	318T	38,1	x		25,40	25,40	150,20	14,63	32,30	48,36	6,6	425,0	540,0	594,0	.	20,31
	28B-3	320T	44,45	x		27,94	30,95	184,60	15,90	37,00	59,56	7,4	530,0	705,0	754,4	.	28,00
	32B-3	322T	50,8	x		29,21	30,99	181,70	17,81	42,30	58,55	7,9	670,0	810,0	963,0	.	29,60
40B-3	323T	63,5	x		39,37	38,10	224,60	22,89	52,80	72,29	12,0	950,0	1 095,0	1 149,8	.	47,96	
48B-3	324T	76,2	x		48,26	47,70	281,60	29,22	64,20	91,21	23,7	1 500,0	1 800,0	1 890,0	.	80,20	
SIMPLEX	-	5T	12,7	x		7,75	5,00	11,80	3,96	10,10	.	1,5	.	11,6	12,9	.	0,44
	-	6N	12,7	x		8,51	5,35	14,10	4,45	11,80	.	1,5	.	18,2	20,4	.	0,59
	-	10N	15,875	x		10,16	6,50	16,40	5,08	13,70	.	1,5	.	23,0	27,2	.	0,75
	-	12N	19,05	x		12,07	8,00	18,45	5,72	16,30	.	1,5	.	30,5	34,8	.	1,05
Double pitch chains (ISO 1275)																	
208B	2007N	25,4	x		8,51	7,75	16,60	4,45	11,50	.	1,5	17,8	17,8	19,8	.	0,43	

Connecting links: Also available for some duplex and triplex chains

N° 200	N° 205	N° 206	N° 208	N° 209	N° 216	N° 217	N° 221
Inner link	External link to be riveted	Connecting link with spring clip	Cottered connecting link	Connecting link with self locking nuts	Single cranked cottered link	Single cranked link with self locking nuts	Double cranked link
Available for all chains		Available for pitches from: 9,525 to 31,75 mm	Available for pitches from: 25,4 to 63,5 mm	Available for pitches from: 25,4 to 76,2 mm	Available for pitches from: 9,525 to 63,5 mm	Available for pitches from: 31,75 to 63,5 mm	Available for pitches from: 9,525 to 25,4 mm

BS Chains - European Series - Record® RANGE



GENERAL CHARACTERISTICS

These chains designed for use in high power transmission systems comply with international standards: ISO 606.

These chains correspond to the following national standards:

- British Standard BS 228
- German Standard DIN8187

In these conditions, our chains are interchangeable with all other chains produced to the quoted standards.



	Reference		Pitch	RECORD® RANGE			General dimensions (mm)							Ultimate Tensile Strength (kN)		Mass per meter (Kg/m)		
	ISO 606	SEDIS	P	Record®	Record® Nickel	Record® INOX	d1	b1	b4 b5 b6	d2	h2	Pt	b7	Record® & Record® nickel	Record® INOX	Record®	Record® Nickel	Record® Stainless steel
														max	min			
SIMPLEX	-	CA1N04B000	6	x			4,00	2,80	7,90	1,85	5,00	-	1,1	3,20	-	0,11	-	-
	05B-1	CA1N05B000	8	x	x		5,00	3,00	11,70	2,31	7,10	-	3,5	5,90	-	0,20	0,18	-
	06B-1	CA1N06B000	9,525	x	x	x	6,35	5,72	16,80	3,28	8,20	-	3,3	8,9	6,65	0,41	0,58	0,44
	083	CA1N083000	12,70	x			7,75	4,90	14,10	4,09	10,10	-	1,5	13,50	-	0,49	-	-
	08B-1	CA1N08B000	12,70	x	x	x	8,51	7,75	20,90	4,46	11,80	-	3,9	18,00	12,00	0,68	0,68	0,70
	10B-1	CA1N10B000	15,875	x	x	x	10,16	9,65	23,70	5,08	14,70	-	4,1	22,40	15,00	0,91	0,84	0,92
	12B-1	CA1N12B000	19,05	x	x	x	12,07	11,68	27,30	5,72	16,10	-	4,6	29,00	17,00	1,12	1,14	1,12
	16B-1	CA1N16B000	25,40	x	x	x	15,88	17,02	41,50	8,27	21,00	-	5,4	60,00	40,00	2,64	2,72	2,59
	20B-1	CA1N20B000	31,75	x			19,05	19,56	49,30	10,19	26,40	-	6,1	95,00	-	3,68	-	-
	24B-1	CA1N24B000	38,10	x			25,40	25,40	59,70	14,63	33,40	-	6,6	160,00	-	7,05	-	-
DUPLEX	05B-2	CA2N05B000	8	x			5,00	3,00	17,40	2,31	7,11	5,64	3,1	7,95	-	0,38	-	-
	06B-2	CA2N06B000	9,525	x	x	x	6,35	5,72	27,10	3,28	8,20	10,24	3,3	18,70	10,50	0,77	0,68	0,74
	08B2	CA2N08B000	12,70	x	x	x	8,51	7,75	34,90	4,46	11,80	13,92	3,9	32,00	22,00	1,35	1,34	1,40
	10B-2	CA2N10B000	15,875	x	x	x	10,16	9,65	40,30	5,08	14,70	16,59	4,1	44,50	28,45	1,79	1,93	3,00
	12B-2	CA2N12B000	19,05	x	x	x	12,07	11,68	46,80	5,72	16,10	19,46	4,6	57,80	37,25	2,22	2,35	2,21
	16B-2	CA2N16B000	25,40	x	x	x	15,88	17,02	73,40	8,27	21,00	31,88	5,4	114,70	74,45	5,13	5,28	5,08
	20B-2	CA2N20B000	31,75	x			19,05	19,56	85,10	10,19	26,40	36,45	6,1	170,00	-	7,72	-	-
	24B-2	CA2N24B000	38,10	x			25,40	25,40	108,40	14,63	33,40	48,36	6,6	280,00	-	13,85	-	-
	28B-2	CA2N28B000	44,45	x			27,94	30,99	132,10	15,90	37,00	59,56	7,4	360,00	-	18,80	-	-
	32B-2	CA2N32B000	50,80	x			29,21	30,99	133,90	17,81	42,20	58,55	7,9	450,00	-	19,80	-	-
TRIPLEX	06B-3	CA3N06B000	9,525	x		x	6,35	5,72	37,30	3,28	8,20	10,24	3,3	30,10	17,85	1,16	-	1,11
	08B-3	CA3N08B000	12,70	x		x	8,51	7,75	48,80	4,46	11,80	13,92	3,9	47,50	35,30	2,03	-	1,31
	10B-3	CA3N10B000	15,875	x		x	10,16	9,65	56,90	5,08	14,70	16,59	4,1	66,70	42,65	2,68	-	1,79
	12B-3	CA3N12B000	19,05	x		x	12,07	11,68	66,30	5,72	16,10	19,46	4,6	86,70	50,05	3,39	-	2,22
	16B-3	CA3N16B000	25,40	x		x	15,88	17,02	105,30	8,27	21,00	31,88	5,4	170,50	117,65	7,80	-	5,03
	20B-3	CA3N20B000	31,75	x			19,05	19,56	122,10	10,19	26,40	36,45	6,1	250,00	-	11,53	-	-
	24B-3	CA3N24B000	38,10	x			25,40	25,40	156,80	14,63	33,40	48,36	6,6	425,00	-	20,31	-	-
	28B-3	CA3N28B000	44,45	x			27,94	30,99	192,00	15,90	37,00	59,56	7,4	530,00	-	28,00	-	-
	32B-3	CA3N32B000	50,80	x			29,21	30,99	192,40	17,81	42,20	58,55	7,9	670,00	-	29,60	-	-
	40B-3	CA3N40B000	63,50	x			39,37	38,10	239,20	22,89	52,90	72,29	12,0	950,00	-	47,96	-	-
48B-3	CA3N48B000	76,20	x			48,26	47,70	292,30	29,22	63,80	91,21	12,0	1 500,00	-	80,20	-	-	

Connecting links: Also available for some duplex and triplex chains



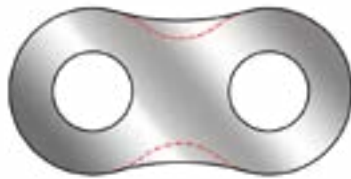
ALPHA *Premium* ASA chains

Our chain Alpha Premium ASA has been entirely designed to be the most advanced one of its generation.

THE MOST
EFFICIENT CHAIN IN THE
MARKET IN TERMS OF
RESISTANCE TO FATIGUE

UNEQUALLED RESISTANCE TO FATIGUE

Our Research & Development department has developed a **new plate profile** which has been optimized by widening the narrow waist to reduce the constraints on the plate's holes when the chain undergoes repeated loads in operation. This technological advance gives to our new Alpha Premium ASA chain an **unprecedented resistance to fatigue and increased breaking loads** (+ 15% on average compared to standards).



----- Old Alpha range profile

———— New Alpha Premium range profile

Solid bushes, made with the most innovative techniques of bush forming, provide a **perfect fitting** in the plates, improving therefore the resistance to fatigue of the chains

The plates are **shoot peened**, what allows the creation of compressive constraints on the surface, in order to fight initiation and spread of fatigue cracks, **improving the resistance to fatigue of the plates by 20%**.

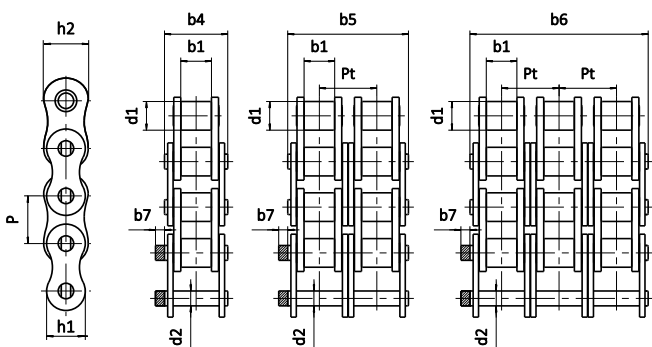
Design of our Alpha Premium ASA chains allows to have **reduced play** between articulations, contributing also to improve resistance to fatigue.

REINFORCED RESISTANCE TO WEAR

The **new wax**, with an anti-wear and **anti-corrosion protection**, allows to **limit frictions** by liquefying in operation, thanks to a better penetration in the articulations.

The pins have been conceived with carefully selected steels and heat treatments which help obtaining **high hardness and resistance**.

ASA Chains - American Series - ALPHA Premium Range



GENERAL CHARACTERISTICS

These chains designed for use in high power transmission systems comply with international standards: ISO 606.

These chains correspond to the following national standards:
 - British Standard BS 228
 - German Standard DIN8187

In these conditions, our chains are interchangeable with all other chains produced to the quoted standards.

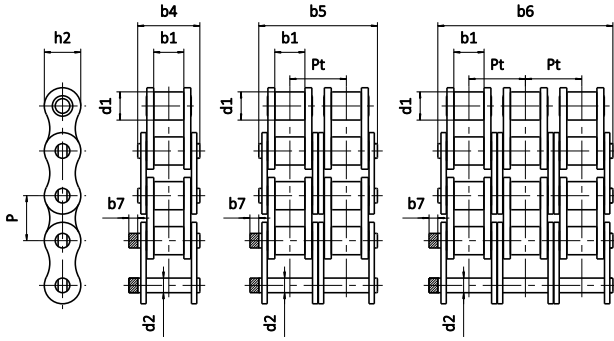


References			Pitch	General dimensions (mm)								Ultimate Tensile Strength			Mass per meter
ISO 606	SEDIS	P		d1	b1	b4 b5 b6	d2	h1	h2	Pt	b7	ISO 606	ALPHA Premium		
				max	min	max	max	max	max		max	min	min kN	nom. kN	
SIMPLEX	08A-1	40-1	12,7	7,93	7,85	16,3	3,98	12,07	11,5	-	5,4	13,9	18,0	19,8	0,6
	10A-1	50-1	15,875	10,16	9,40	20,45	5,09	15,1	13,7	-	5,45	21,8	29,0	30,9	1,0
	12A-1	60-1	19,05	11,91	12,58	25,4	5,96	18,1	18	-	6,1	31,3	40,0	44,1	1,6
	16A-1	80-1	25,4	15,87	15,75	32,8	7,94	24,15	20,8	-	6,1	55,6	62,0	68,8	2,75
	20A-1	100-1	31,75	19,05	19,05	39,6	9,53	25,4	25,4	-	7,6	87,0	99,0	110,0	4,29
	24A-1	120-1	38,1	22,22	25,23	49,6	11,1	35,4	30,62	-	7,8	125,0	154,0	170,9	6,00
	28A-1	140-1	44,45	25,40	25,4	53,5	12,7	42	35,7	-	8,8	170,0	178,0	193,4	7,44
	32A-1	160-1	50,8	28,58	31,75	64	14,27	48,3	40,5	-	9,4	223,0	228,0	256,1	10,04
	40A-1	200-1	63,5	39,67	38,10	77,90	19,85	58,00	49,8	-	12,6	347,0	380,0	418,0	16,70
48A-1	240-1	76,2	47,60	47,60	94,50	23,80	71,80	64,2	-	11,5	500,0	700,0	730,0	23,70	
DUPLIX	08A-2	40-2	12,7	7,93	7,85	30,8	3,98	12,07	11,5	14,38	5,4	27,8	36,0	39,6	1,2
	10A-2	50-2	15,875	10,16	9,40	38,9	5,09	15,1	13,7	18,11	5,1	43,6	58,0	61,9	2,0
	12A-2	60-2	19,05	11,91	12,58	48,3	5,96	18,1	18	22,78	6,1	62,6	80,8	88,3	2,73
	16A-2	80-2	25,4	15,87	15,75	62,3	7,94	24,15	20,8	29,29	5,8	111,2	124,0	137,8	5,48
	20A-2	100-2	31,75	19,05	19,05	75,5	9,53	25,4	25,4	35,76	7,6	174,0	198,0	220,0	8,29
	24A-2	120-2	38,1	22,22	25,23	95,3	11,1	35,4	30,62	45,44	7,6	250,0	307,9	341,7	11,88
	28A-2	140-2	44,45	25,40	25,4	102,6	12,7	42	35,7	48,87	8,4	340,0	356,0	387,0	14,76
	32A-2	160-2	50,8	28,58	31,75	123	14,27	48,3	40,5	58,55	9,1	446,0	456,0	512,2	19,9
	40A-2	200-2	63,5	39,67	38,10	150,20	19,85	58,00	49,8	71,55	11,9	694,0	760,0	832,0	33,20
48A-2	240-2	76,2	47,60	47,60	182,20	23,80	71,80	64,2	87,83	11,7	1000,0	1400,0	1460,0	47,25	
TRIPLEX	08A-3	40-3	12,7	7,93	7,85	45,3	3,98	12,07	11,5	14,38	5,3	41,7	54,1	59,4	1,8
	10A-3	50-3	15,875	10,16	9,40	57	5,09	15,1	13,7	18,11	5	65,4	87,0	92,8	2,98
	12A-3	60-3	19,05	11,91	12,58	71,1	5,96	18,1	18	22,78	6,1	93,9	120,0	132,4	4,08
	16A-3	80-3	25,4	15,87	15,75	91,8	7,94	24,15	20,8	29,29	5,5	166,8	186,0	206,6	8,16
	20A-3	100-3	31,75	19,05	19,05	112,1	9,53	25,4	25,4	35,76	7	261,0	297,0	330,0	12,4
	24A-3	120-3	38,1	22,22	25,23	140,9	11,1	35,4	30,62	45,44	7,4	375,0	461,9	512,6	17,75
	28A-3	140-3	44,45	25,40	25,4	152,4	12,7	42	35,7	48,87	7,4	510,0	534,0	580,4	22,08
	32A-3	160-3	50,8	28,58	31,75	182	14,27	48,3	40,5	58,55	8,8	669,0	684,0	768,4	29,76
	40A-3	200-3	63,5	39,67	38,10	222,20	19,85	58,00	49,8	71,55	11,5	1041,0	1140,0	1248,0	49,7
48A-3	240-3	76,2	47,60	47,60	270,00	23,80	71,80	64,2	87,83	11,8	1500,0	2100,0	2190,0	70,5	

DELTA®, Heavy duty and long-pitch chains on request.

Connecting links: Also available for some duplex and triplex chains

<p>N° 205</p>  <p>External link to be riveted</p> <p>Available for all chains</p>	<p>N° 206</p>  <p>Connecting link with spring clip</p> <p>Available for pitches: 9,525 to 31,75 mm</p>	<p>N° 208</p>  <p>Cottered connecting link</p> <p>Available for pitches: 25,4 to 63,5 mm</p>	<p>N° 216</p>  <p>Single cranked cottered link</p> <p>Available for pitches: 9,525 to 63,5 mm</p>
---	--	--	---



GENERAL CHARACTERISTICS

These chains designed for use in high power transmission systems comply with international standards: ISO 606 (short pitch chains) and ISO 1275 (long pitch chains).

These chains correspond to the following national standards:
 - British Standard BS 228 (short pitch chains)
 - German Standard DIN8187 (short pitch chains) and DIN8181 (long pitch chains)

In these conditions, our chains are interchangeable with all other chains produced to the quoted standards.





	References		Pitch	General dimensions (mm)							Ultimate Tensile Strength (kN)		Mass per meter (Kg/m)	
	Ref	SEDIS		P	d1	b1	b4 b5 b6	d2	h2	Pt	b7	ISO 606		RECORD®
												min		min
SIMPLEX	25-1	CA1N025000	6,35	3,30	3,18	7,90	2,31	5,80	-	2,5	3,60	3,60	0,15	
	35-1	CA1N035000	9,525	5,08	4,77	12,40	3,58	8,65	-	3,3	7,90	7,90	0,33	
	40-1	CA1N040000	12,70	7,92	7,85	17,40	3,97	12,00	-	3,9	13,9	14,10	0,63	
	50-1	CA1N050000	15,875	10,16	9,40	20,20	5,08	15,00	-	4,1	21,8	22,20	1,04	
	60-1	CA1N060000	19,05	11,91	12,58	26,90	5,96	18,00	-	4,6	31,3	31,80	1,52	
	80-1	CA1N080000	25,40	15,87	15,75	33,50	7,94	24,10	-	5,4	55,6	56,60	2,60	
	100-1	CA1N100000	31,75	19,05	18,90	41,10	9,54	30,10	-	6,1	87,0	88,50	4,01	
	120-1	CA1N120000	38,10	22,22	25,40	49,90	11,10	36,20	-	6,6	125,0	125,00	5,56	
	140-1	CA1N140000	44,45	25,40	25,40	53,90	12,70	42,20	-	7,0	170,0	170,00	7,44	
	150-1	CA1N160000	50,80	28,58	31,75	63,90	14,27	48,20	-	7,0	223,0	225,00	10,04	
200-1	CA1N200000	63,50	39,67	38,10	78,10	19,84	60,30	-	9,0	347,0	348,00	16,70		
DUPLEX	40-2	CA2N040000	12,70	7,92	7,85	30,60	3,97	12,00	14,38	3,9	27,8	28,20	1,25	
	50-2	CA2N050000	15,875	10,16	9,40	38,50	5,08	15,00	18,11	4,1	43,6	44,50	2,06	
	60-2	CA2N060000	19,05	11,91	12,58	49,70	5,96	18,00	22,78	4,6	62,6	63,60	3,01	
	80-2	CA2N080000	25,40	15,87	15,75	62,70	7,94	24,10	29,78	5,4	111,2	113,30	5,15	
	100-2	CA2N100000	31,75	19,05	18,90	75,70	9,54	30,10	35,76	6,1	174,0	174,00	7,70	
	120-2	CA2N120000	38,10	22,22	25,40	95,30	11,11	36,20	45,44	6,6	250,0	250,00	10,96	
	140-2	CA2N140000	44,45	25,40	25,40	102,80	12,70	42,20	48,87	7,0	340,0	350,00	14,76	
160-2	CA2N160000	50,80	28,58	31,45	122,30	14,27	48,20	58,55	7,0	446,0	460,00	19,90		
200-2	CA2N200000	63,50	39,67	38,10	149,50	19,84	60,30	71,55	9,0	694,0	700,00	33,20		
TRIPLEX	40-3	CA3N040000	12,70	7,92	7,85	45,30	3,97	12,00	14,38	3,9	41,7	42,30	1,98	
	50-3	CA3N050000	15,875	10,16	9,40	56,80	5,08	15,00	18,11	4,1	65,4	66,70	3,07	
	60-3	CA3N060000	19,05	11,91	12,58	72,60	5,96	18,00	22,78	4,6	93,9	95,40	4,51	
	80-3	CA3N080000	25,40	15,87	15,75	91,90	7,94	24,10	29,78	5,4	166,8	170,00	7,71	
	100-3	CA3N100000	31,75	19,05	18,90	113,00	9,54	30,10	35,76	6,1	261,0	265,50	11,86	
	120-3	CA3N120000	38,10	22,22	25,40	141,70	11,11	36,20	45,44	6,6	375,0	380,70	17,01	
	140-3	CA3N140000	44,45	25,40	25,40	152,40	12,70	42,20	48,87	7,0	510,0	517,00	22,64	
	160-3	CA3N160000	50,80	28,58	31,75	182,90	14,27	48,20	58,55	7,0	669,0	680,00	29,22	
200-3	CA3N200000	63,50	39,67	38,10	223,50	19,84	60,30	71,55	9,0	1041,0	1 060,00	49,21		
American series chains - STAINLESS STEEL														
SIMPLEX	40-1	C11N040000	12,70	7,97	7,85	11,25	3,93	12,00	-	5,1				
	50-1	C11N050000	15,875	10,16	9,66	13,90	5,04	15,00	-	6,5				
	60-1	C11N060000	19,05	11,95	12,65	17,81	5,91	18,00	-	7,6				
Heavy duty American series chains														
SIMPLEX	50H	CA1N050H000	15,875	10,16	9,40	22,10	5,07	14,48	-	2,4	21,7	21,77	1,20	
	60H	CA1N060H000	19,05	11,91	12,58	31,20	5,96	18,00	-	4,6	31,3	31,80	1,81	
	80H	CA1N080H000	25,40	15,87	15,75	38,00	7,94	24,10	-	5,4	55,6	56,50	3,00	
	100H	CA1N100H000	31,75	19,05	18,90	45,40	9,54	30,10	-	6,1	88,50	88,50	4,38	
	120H	CA1N120H000	38,10	22,22	25,23	55,10	11,11	36,20	-	6,6	127,0	127,0	6,61	
140H	CA1N140H000	44,45	25,40	25,22	60,40	12,71	42,20	-	7,4	172,40	172,40	8,33		
Double pitch American series chains with straight side plates (ISO 1275)														
SIMPLEX	C2040	CC1N2040000	25,40	7,92	7,85	17,80	3,96	11,66	-	3,9	13,9	14,12	0,49	
	C2050	CC1N2050000	31,75	10,16	9,40	21,80	5,08	14,58	-	4,1	21,8	22,26	0,81	
	C2060	CC1N2060000	38,10	11,91	12,58	26,90	5,94	18,06	-	4,6	31,3	31,77	1,20	
	C2080	CC1N2080000	50,80	15,88	15,75	33,50	7,92	24,05	-	5,4	56,1	56,68	2,10	

Connecting links: Also available for some duplex and triplex chains






The connecting links

Availability of the links:

		BS chain type B	ANSI chain type A
	N° 205 Outer link to be riveted This link is composed of 2 riveted pins on an outer plate. The other plate is fitted by force on the pins which extremities are riveted after assembly of the plate.	X	X
	N° 206 Spring clip connecting link 2 pins are riveted on an outer plate. The loose plate is maintained by a special spring clip. The unopened part of the spring clip must be oriented in the rotation way of the chain. For BS chains, these links are supplied with Delta® pins for a better resistance to wear.	X (≤31,75mm)	X (≤ 25,4mm)
	N° 208 Cottered connecting link Used from 1" pitch (25,4mm) for Delta® chains and from 1.1/4" pitch (31.75mm) in Alpha Premium version. It can be "loose-fit" or "press-fit" type for type B chains.	X (≥ 31,75mm)	X (≥ 31,75mm)
	N° 209 Connecting link with self locking nuts The pins' extremities are threaded to fit a self-locking nut. The play on the loose plate is suppressed by the pin conic ambit (SEDIS specificity).	X (≥ 31,75mm)	

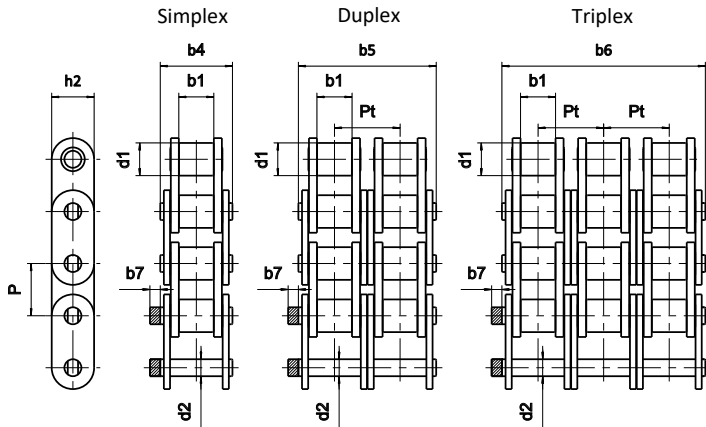
The cranked links

	N° 216 Single cranked cottered link Used to obtain a chain with an odd number of pitches from ½" (12.7mm) pitch. These links have removable pins.	X	X
	N° 217 Single cranked link self locking nuts Used to obtain a chain with an odd number of pitches. The play on the loose plate is suppressed by the pin conic ambit. The assembly is more reliable than the 216 crank link.	X (≥ 31,75mm, except 76,2)	
	N° 221 Double cranked link Used to obtain a chain with an odd number of pitches. It is composed of an inner link and a cranked link linked by a riveted pin. For BS chains, these links are supplied with Delta® pins for a better resistance to wear.	X (≥ 38,10mm)	

TRANSMISSION
CHAINS
ADAPTED
FOR CONVEYING



Straight Side Plate Chains - derived from ISO 606 international standard



APPLICATIONS

Conveying of products



Alpha Premium & Delta® RANGES

Dimensions in mm

	References			GAMMES SEDIS					General dimensions (mm)							Ultimate Tensile Strength (kN)						Mass per meter kg		
	ISO 606	SEDIS	Pitch P	ALPHA Premium	ALPHA Premium INOX	DELTA® HR	DELTA TITANIUM 2	VERTE	d1	b1	b4 b5 b6	d2	h2	Pt	b7	ISO 606	ALPHA Premium	ALPHA Premium INOX	DELTA® HR	DELTA TITANIUM 2	LUB FREE VERTE		VERTE	
																								max.
BS European series																								
SIMPLEX	-	2ND	9,525						6,35	4,10	10,25	3,28	8,2	-	2,1	-	9,0	-	9,0	9,0	-	-	-	0,35
	06B-1	3N	9,525	x	x	x	x		6,35	5,77	12,50	3,28	8,2	-	2,1	8,9	9,0	6,3	9,0	9,0	-	-	-	0,40
	08B-1	7NNE	12,7	x	x	x	x	(1)	8,51	7,75	16,60	4,45	11,8	-	1,5	17,8	18,2	13,3	18,2	18,2	18,2	18,2	-	0,72
	10B-1	11NNE	15,875	x	x	x	x	(1)	10,16	9,65	19,00	5,08	13,7	-	1,5	22,2	23,0	14,2	23,0	23,0	23,0	23,0	-	0,96
	12B-1	13NNE	19,05	x	x	x	x	(1)	12,07	11,68	22,30	5,72	16,2	-	1,5	28,9	30,5	16,6	30,5	30,5	30,5	30,5	30,5	1,25
	16B-1	15TNE	25,4	x	x	x	x	(1)	15,88	17,02	35,10	8,28	20,8	-	3,0	60,0	66,0	39,0	75,0	75,0	66,0	66,0	66,0	2,70
	20B-1	17TNE	31,75	x	x	x	x	(2)	19,05	19,56	40,50	10,19	25,4	-	8,5	95,0	105,0	46,0	110,0	110,0	-	99,0	3,90	
	24B-1	18TNE	38,1	x	x	x	x	(2)	25,40	25,40	53,10	14,63	33,4	-	8,5	160,0	170,0	81,0	170,0	170,0	-	160,0	7,40	
32B-1	22TNE	50,8	x		x	x	(2)	29,10	30,95	63,60	17,81	42,3	-	10,4	250,0	270,0	-	300,0	300,0	-	250,0	10,00		
DUPLEX	06B-2	203N	9,525	x	x	x	x		6,35	5,77	23,10	3,28	8,2	10,24	2,1	16,9	18,0	9,8	18,0	18,0	-	-	0,74	
	08B-2	207NNE	12,7	x	x	x	x	(1)	8,51	7,75	30,60	4,45	11,8	13,92	1,5	31,1	36,4	26,6	36,4	36,4	36,4	36,4	-	1,46
	10B-2	211NNE	15,875	x	x	x	x	(1)	10,16	9,65	35,75	5,08	13,7	16,59	1,5	44,5	46,0	28,4	46,0	46,0	46,0	46,0	-	1,88
	12B-2	213NNE	19,05	x	x	x	x	(1)	12,07	11,68	41,80	5,72	16,2	19,46	1,5	57,8	61,0	37,2	61,0	61,0	61,0	61,0	61,0	2,44
	16B-2	215TNE	25,4	x	x	x	x	(1)	15,88	17,02	68,00	8,28	20,8	31,88	3,0	106,0	132,0	78,0	150,0	150,0	132,0	132,0	5,89	
	20B-2	217TNE	31,75	x	x	x	x	(2)	19,05	19,56	79,70	10,19	25,4	36,45	8,5	170,0	210,0	92,0	220,0	220,0	-	198,0	7,70	
	24B-2	218TNE	38,1	x	x	x	x	(2)	25,40	25,40	101,80	14,63	33,4	48,36	8,5	280,0	360,0	162,0	360,0	360,0	-	320,0	14,70	
	32B-2	222TNE	50,8	x		x	x	(2)	29,21	30,95	121,60	17,81	42,3	58,55	10,4	450,0	540,0	-	600,0	600,0	-	500,0	19,80	
TRIPLEX	06B-3	303N	9,525	x	x	x	x		6,35	5,77	33,00	3,28	8,2	10,24	2,1	24,9	27,0	-	27,0	27,0	-	-	1,10	
	08B-3	307NNE	12,7	x	x	x	x	(1)	8,51	7,75	44,60	4,45	11,8	13,92	1,5	44,5	54,6	39,9	54,6	54,6	54,6	54,6	-	2,14
	10B-3	311NNE	15,875	x	x	x	x	(1)	10,16	9,65	52,30	5,08	13,7	16,59	1,5	66,7	69,0	42,6	69,0	69,0	69,0	-	2,80	
	12B-3	313NNE	19,05	x	x	x	x	(1)	12,07	11,68	61,40	5,72	16,2	19,46	1,5	86,7	91,5	49,8	91,5	91,5	91,5	91,5	3,55	
	16B-3	315TNE	25,4	x	x	x	x	(1)	15,88	17,02	99,90	8,28	20,8	31,88	3,0	160,0	198,0	117,0	225,0	225,0	198,0	198,0	8,40	
	20B-3	317TNE	31,75	x	x	x	x	(2)	19,05	19,56	116,10	10,19	25,4	36,45	8,5	250,0	315,0	138,0	330,0	330,0	-	297,0	11,50	
	24B-3	318TNE	38,1	x	x	x	x	(2)	25,40	25,40	150,20	14,63	33,4	48,36	8,5	425,0	540,0	243,0	540,0	540,0	-	480,0	22,20	
	32B-3	322TNE	50,8	x		x	x	(2)	29,21	30,95	179,80	17,81	42,3	58,55	10,4	670,0	810,0	-	900,0	900,0	-	750,0	29,60	

ANSI versions and double pitch versions on request only.

- (1): References in Lub Free. In DELTA® VERTE please consult us
- (2): Only available in DELTA® VERTE (consult us with specifications)

Record® RANGE

	Reference		Pitch P	Record® range		General dimensions (mm)							Ultimate Tensile Strength (kN)			Mass per meter (Kg/m)	
	ISO 606	SEDIS		Record®	Record® nickel	d1	b1	b4 b5 b6	d2	h2	Pt	b7	ISO 606	RECORD®	RECORD® nickel	RECORD®	RECORD® nickel
			max														
SIMPLEX	06B-1	CC1N06B000	9,525	x		6,35	5,72	13,15	3,28	8,20	-	3,65	8,9	10,40	-	0,41	0,41
	08B-1	CC1N08B000	12,70	x	x	8,51	7,75	16,60	4,45	11,80	-	1,5	17,8	17,80	17,80	0,72	0,72
	10B-1	CC1N10B000	15,875	x	x	10,16	9,65	19,00	5,08	14,70	-	1,5	22,2	22,20	22,20	0,96	0,96
	12B-1	CC1N12B000	19,05	x	x	12,07	11,68	22,30	5,72	16,10	-	1,5	28,9	29,00	29,00	1,25	1,25
	16B-1	CC1N16B000	25,40	x	x	15,88	17,02	36,10	8,27	21,00	-	5,4	60,0	60,00	60,00	3,34	3,34
DUPLEX	08B-2	CCN2N08B000	12,70		x	8,51	7,75	31,00	4,45	11,80	13,92	3,9	31,1	-	32,00	-	1,32
	10B-2	CCN2N10B000	15,875		x	10,16	9,65	36,20	5,08	14,70	16,59	4,1	44,5	-	44,50	-	1,66
	12B-2	CCN2N12B000	19,05		x	12,07	11,68	42,20	5,72	16,10	19,46	4,6	57,8	-	57,80	-	2,29
	16B-2	CCN2N16B000	25,40		x	15,88	17,02	68,00	8,27	21,00	31,88	5,4	106,0	-	114,70	-	5,89

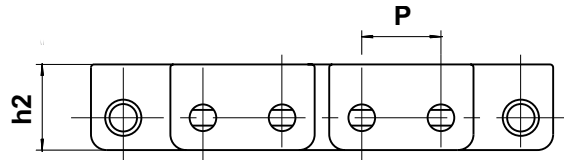
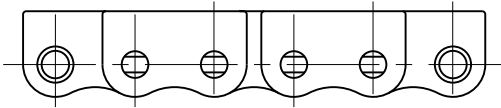
APPLICATIONS

These chains allow load to be conveyed directly on the side plate. Eg. bricks, tiles, building materials, ... For this type of use, it is recommended to use DELTA®.



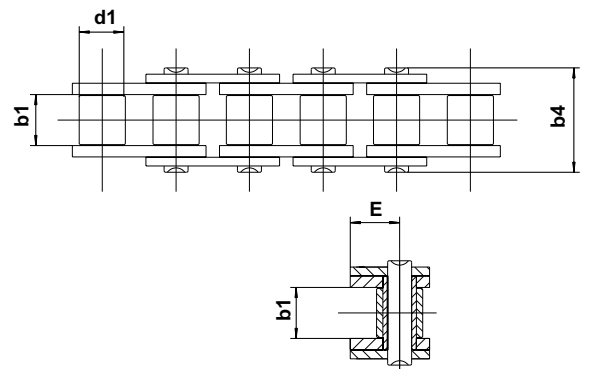
Waisted plates

Straight side plates



Dimensions in mm

References		Pitch P	VERSIONS		Plate shape	d1 max.	b1 min.	b4 max.	h2	E	UTS kN
ISO 606	SEDIS		ALPHA Premium	DELTA® HR							
	10N	15,875	x	x	Waisted	10,16	6,50	16,4	18,0	11,1	23
10B-1	11N	15,875	x	x	Waisted	10,16	9,65	19,0	18,0	11,1	23
12A-1	60-1	19,05	x	x	Straight	11,91	12,65	25,4	22,3	14,1	38



Conveyor Belt Chains

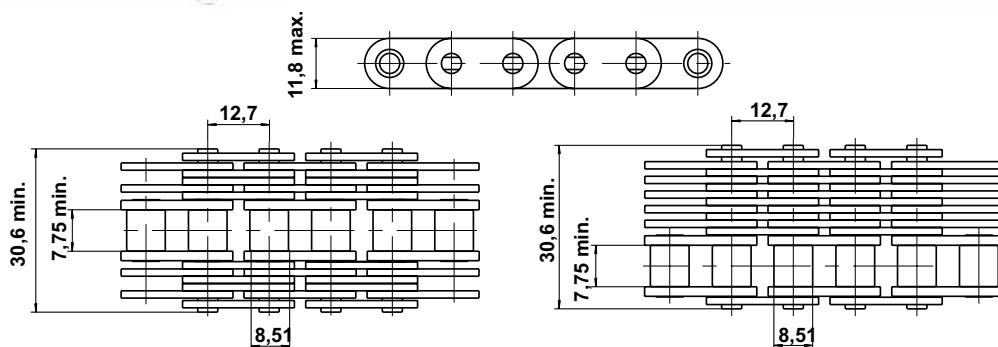
These chains called "belt" chains are always derived from chains with straight side plates. They retain the same characteristics to the nearest lateral dimension. They can be of the lateral type (with plates) with one or two sides. The basis may be a simple, duplex or triplex chain.

APPLICATIONS

In light handling, for conveying loads placed directly on the chain and accumulated.
The number of plates limits the contact pressure and hence the marking of parts.



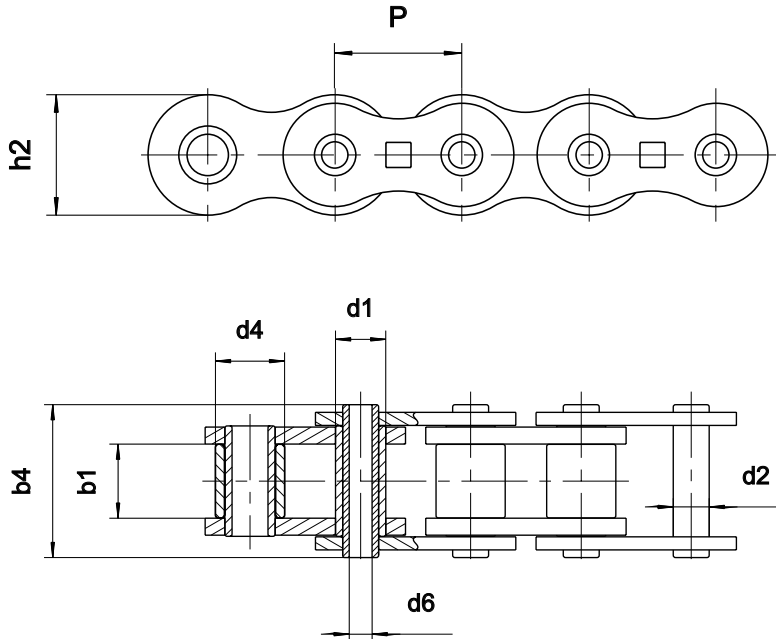
e.g.: basic chain 7NNE



Hollow Bearing Pin Chains

APPLICATIONS

In light handling, small conveyors usually using two parallel chains
 Examples: transport of sprays, of toothpaste, packaging machinery

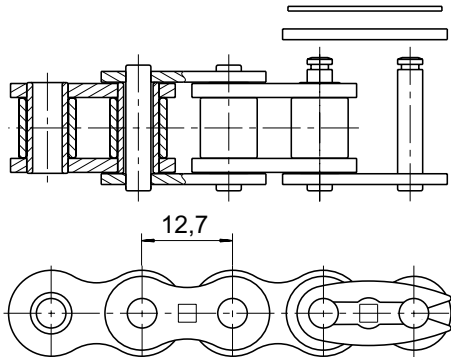


References	GAMME SEDIS				d1	d4	b1	b4	d2	d6	h2	Nominal bearing surface	Ultimate Tensile Strength				Mass per meter	
	Pitch	ALPHA Premium	ALPHA Premium INOX	DELTA® HR									DELTA Titanium 2	Alpha Premium	Alpha Premium INOX	Delta® HR		DELTA TITANIUM 2
7C40	12,7	x				8,51	7,75	16,50	6,55	4,00	11,80	73	11,1				0,58	
7C45	12,7	x				8,51	7,75	16,50	6,55	4,50	11,80	73	11,1				0,53	
13C	19,05	x				12,07	11,68	23,00	8,25	6,10	18,30	128	24,0				1,07	
80C	25,4	x				15,88	15,87	32,60	11,58	8,05	24,00	260	41,2				2,00	
5508-03	25,4	x	(1)			17,10	19,90	35,70	11,11	8,20	20,80	292	44,0	15,0			2,40	
5508-06	25,4	x				14,11	19,90	35,70	11,11	8,20	20,80	292	44,0				2,30	
A55BC	41,75	x	(1)			17,10	19,90	35,70	11,11	8,20	21,65	292	26,5	17,6			1,43	
A155TS	41,75	x		x	x	17,10	19,90	35,70	11,11	8,20	25,26	292	49,0		49,0	49,0	1,90	
ZC50B50	50,8	x				22,51	19,00	46,60	17,10	12,50	32,00	540	60,0				3,70	
ZC50S50	50,8	x				29,34	19,00	46,60	17,10	12,50	32,00	540	60,0				4,50	
ZC60B60	60	x				22,51	19,00	46,60	17,10	12,50	32,00	540	60,0				3,40	
ZC60S60	60	x				29,34	19,00	46,60	17,10	12,50	32,00	540	60,0				4,00	
S800	80	x				29,00	31,00	53,10	17,10	12,50	40,00	660	70,0				5,30	

(1): Possibility to manufacture Stainless steel version. Consult us for dimensions.

Other conveyor chains with hollow bearing pin: MC27, MC55, MC56, MC110, MC112 (See Conveyor Chains Catalogue).

Chain 7N (08B-1)
drawing: 5272-74



Radius of the installation: R = 400mm min

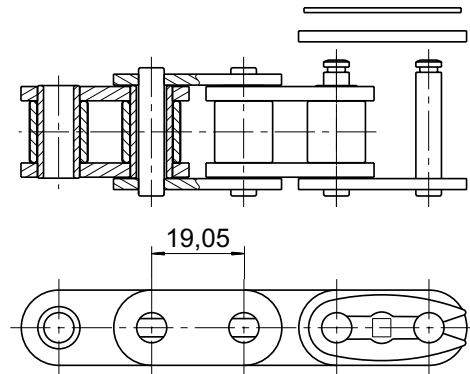


**Average chain pitch =
12,94mm**

To be used with the sprockets of 7N chain with 17 teeth maximum

Chain 60-1NE (12A-1)
drawing: 5312-53

Example: conveyor of bottles for bottling lines



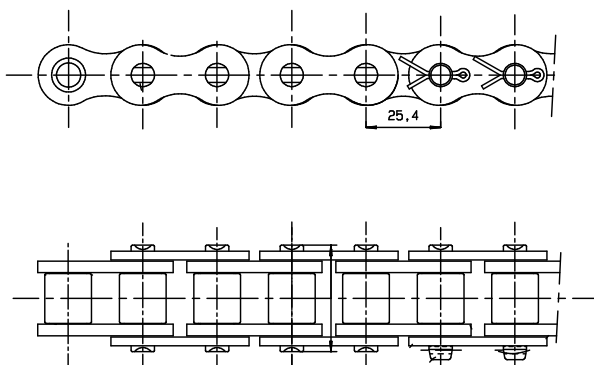
Radius of the installation: R = 650mm min



**Average chain pitch =
19,3mm**

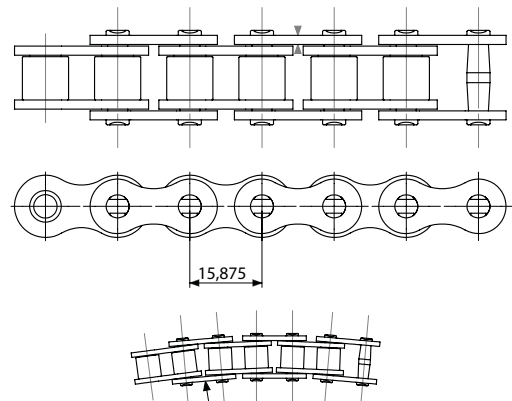
To be used with the sprockets of 60-1NE chain with 17 teeth maximum

Chain 15T (16B-1)
drawing: 5811-32



Radius of the installation: R = 3000mm min

Chain 50-1
«barrel» shaped pins
drawing: 5245-58



Radius of the installation: R = 400mm min

80-1 version with «barrel» shaped pins: 5294-33

Accumulator chains - Basic chains comply with ISO 606

APPLICATIONS

Conveying of support tables, of pallets, skid conveyors. These conveyor systems rest on rollers (side or central) and can be stopped and accumulated while the chain retains a constant linear speed.

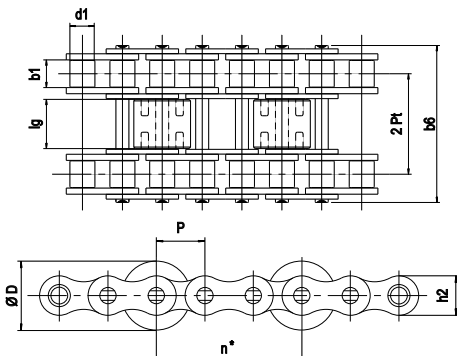


The central rollers are made of **steel or plastic**.
 Two solutions to improve the acceleration of loads:
 1- The use of central roller **TURNING** around **BUSH**,
 2- The use of **BRAKING CLIPS** to brake the rotation of central rollers.
 Please, consult us.

Corresponding sprocket

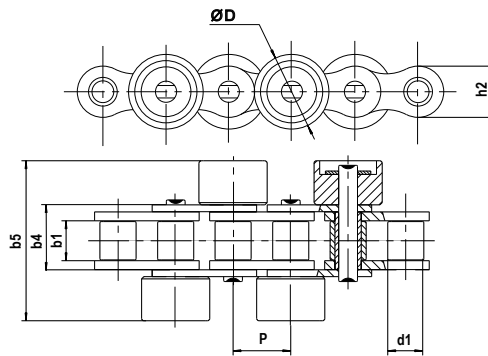
Chain reference		Pitch	2Pt	B1	B3	hg
ISO 606	SEDIS					

TYPE A



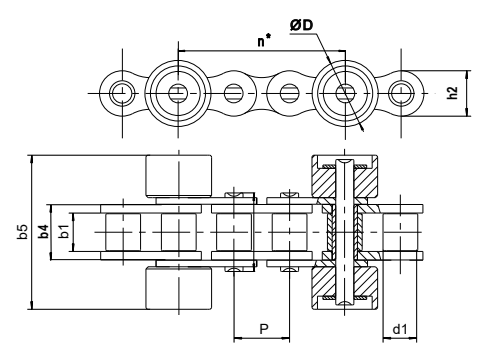
Distinctive feature: *n = Number of pitches P between 2 rollers
 n minimum = 2
 Frequency «n» to be precised

TYPE C



Distinctive feature: Mounting of rollers alternatively every pitch allows transportation of short loads

TYPE D



Distinctive feature: *n = Number of pitches between 2 rollers
 n minimum = 2
 Frequency «n» to be precised

Dimensions in mm

References		Pitch	SEDIS RANGES				d1	ØD	lg	b1	b4	b5	b6	Pt	Ultimate Tensile Strength (kN)			
ISO 606	SEDIS		ALPHA Premium	DELTA® HR	DELTA TITANIUM 2	VERTE CHAINS									ALPHA Premium	DELTA® HR	DELTA TITANIUM 2	VERTE CHAINS
		P				max.		min.	min.	max.	max.	max.						
TYPE A																		
06B-3	303N	9,525	x	x	x		6,35	14,0	7,4	5,77	.	.	33,00	10,24	17,6	18,0	18,0	.
08B-3	307N	12,7	x	x	x	(1)	8,51	18,0	9,9	7,75	.	.	44,60	13,92	36,4	36,4	36,4	33,2
10B-3	311N	15,875	x	x	x	(1)	10,16	22,0	11,7	9,65	.	.	52,30	16,59	46,0	46,0	46,0	37,2
12B-3	313N	19,05	x	x	x	(1)	12,07	28,0	15,5	19,0	11,68	.	.	61,40	19,46	61,0	61,0	61,0
16B-3	315T	25,4	x	x	x	(1)	15,88	35,0	24,4	17,02	.	.	99,90	31,88	132,0	150,0	150,0	132,0
20B-3	317T	31,75	x	x	x		19,05	45,0	35,1	19,56	.	.	116,10	36,45	210,0	220,0	220,0	.
24B-3	318T	38,1	x	x	x		25,40	50,0	47,0	25,40	.	.	150,20	48,36	360,0	360,0	360,0	.
TYPE C																		
08B	7N	12,7	x	x	x		8,51	15,8	.	7,75	16,60	33,00	.	.	18,2	18,2	18,2	.
10B	11N	15,875	x	x	x		10,16	22,0	.	9,65	19,00	42,00	.	.	23,0	23,0	23,0	.
12B	13N	19,05	x	x	x		12,07	25,0	.	11,68	22,30	48,00	.	.	30,5	30,5	30,5	.
TYPE D																		
08B	7N	12,7	x	x	x		8,51	15,8	.	7,75	16,60	33,00	.	.	18,2	18,2	.	.
10B	11N	15,875	x	x	x		10,16	22,0	.	9,65	19,00	42,00	.	.	23,0	23,0	.	.
12B	13N	19,05	x	x	x		12,07	25,0	.	11,68	22,30	48,00	.	.	30,5	30,5	.	.

(1): References in Lub Free version. Delta® VERTE version on request.

Many other possible versions. Consult us.

Chains with "K" Attachments - comply with ISO 606

APPLICATIONS

Conveyors and special machines, mounting on transport systems using two or more chains in parallel.

DESPATCH POSSIBLE WITHIN 48 HOURS
for highlighted references
50M MAXIMUM (consult us)

MATCHING POSSIBLE FOR HIGHER ACCURACY

K1C



K3L



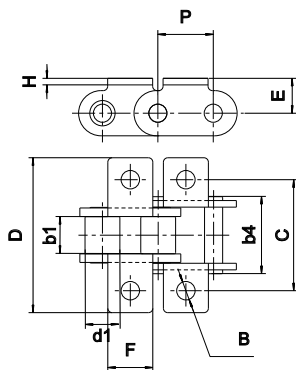
**** K1C ATTACHMENTS EVERY 2 PITCHES ON ONE SIDE ON OUTER LINKS AVAILABLE IN STOCK**

ATTACHMENTS K1C

fitting possible at every pitch on one or both sides
(Except for 17T. Minimum every 2 pitches on outer links on one or both sides)

Dimensions in mm

ISO 606	SEDIS	Pitch P	SEDIS RANGE					VERTE	d1 max.	b1 min.	b4 max.	B min.	C nom.	D max.	E nom.	F max.	G nom.	H nom.
			ALPHA Premium	ALPHA Premium INOX	DELTA® HR	DELTA® Titanium 2												
			x	x	x	x												
K1C attachment on OUTER link																		
06B-1	3N	9,525	x		x	x		6,35	5,77	12,50	3,10	19,85	29,05	6,55	8,30		1	
08B-1	7N	12,7	**		x	x	(1)	8,51	7,75	16,60	4,30	25,40	37,95	9,20	10,70		1,3	
10B-1	11N	15,875	x		x	x	(1)	10,16	9,65	19,00	5,30	31,75	46,65	10,60	13,80		1,6	
12B-1	13N	19,05	**		x	x	(1)	12,07	11,68	22,30	7,12	38,10	61,00	13,80	16,50		1,8	
16B-1	15T	25,4	x	x	x	x	(1)	15,88	17,02	35,10	8,40	50,80	74,00	16,15	20,76		3	
20B-1	17T	31,75	x		x	x		19,05	19,56	40,50	8,40	63,50	96,00	20,10	25,76		3,5	
(*)	18T	38,1	x		x	x		25,40	25,40	53,10	11,00	88,00	129,00	25,00	38,00		5	
K1C attachment on INNER link																		
08B-1	7N	12,7	x		x	x		8,51	7,75	16,60	4,30	25,40	35,55	9,20	10,70		1,6	
10B-1	11N	15,875	x		x	x		10,16	9,65	19,00	5,30	31,75	42,65	10,60	13,80		1,6	
12B-1	13N	19,05	x		x	x		12,07	11,68	22,30	7,12	38,10	57,00	13,80	16,50		1,8	
16B-1	15T	25,4	x		x	x		15,88	17,02	35,10	8,40	50,80	74,00	16,15	20,76		3,9	
20B-1	17T	31,75	x		x	x		19,05	19,56	40,50	8,40	63,50	96,00	20,10	25,76		4,5	



K1C: Short angle bracket 1 hole

- K1L:** Long angle bracket 1 hole
- K2L:** Long angle bracket 2 holes
- K3L:** Long angle bracket 3 holes

ATTACHMENTS - K1L- K2L- K3L

fitting at minimum every two pitches (one or both sides)

K1L attachment on OUTER link																	
06B-1	3N	9,525	x		x	x		6,35	5,77	12,50	3,10	19,85	29,05	6,55	17,70		1,00
08B-1	7N	12,7	x		x	x	(1)	8,51	7,75	16,60	4,30	25,40	37,95	9,20	24,50		1,30
10B-1	11N	15,875	x		x	x	(1)	10,16	9,65	19,00	5,30	31,75	46,65	10,60	29,50		1,60
12B-1	13N	19,05	x		x	x	(1)	12,07	11,68	22,30		Utiliser K3L					
16B-1	15T	25,4	x	x	x	x	(1)	15,88	17,02	35,10	8,40	50,80	74,00	16,15	47,20		3,00
K1L attachment on INNER link																	
16B-1	15T	25,4	x		x	x	(1)	15,88	17,02	35,10	8,40	50,80	74,00	16,15	47,20		3,90
K2L attachment on OUTER link																	
06B-1	3N	9,525	x		x	x		6,35	5,77	12,50	3,10	19,85	29,05	6,55	17,70	9,50	1,00
08B-1	7N	12,7	x		x	x	(1)	8,51	7,75	16,60	4,80	25,40	37,95	9,20	24,50	12,70	1,30
10B-1	11N	15,875	x		x	x	(1)	10,16	9,65	19,00	5,30	31,75	46,65	10,60	29,50	15,88	1,60
12B-1	13N	19,05	x		x	x	(1)	12,07	11,68	22,30		Utiliser K3L					
16B-1	15T	25,4	x	x	x	x	(1)	15,88	17,02	35,10	8,40	50,80	74,00	16,15	47,20	25,40	3,00
(*)	17T	31,75	x		x	x		19,05	19,56	40,50	10,40	69,00	100,00	21,00	57,50	31,70	3,50
(*)	18T	38,1	x		x	x		25,40	25,40	53,10	12,40	88,00	126,00	28,00	72,00	38,10	5,00
28B-1	20T	44,45	x		x	x		27,94	30,99	65,10	13,50	88,90	125,00	28,90	79,60	45,00	6,35
(*)	80-1	25,4	x		x	x		15,88	15,87	33,05	8,40	47,90	71,00	16,15	47,20	25,40	3,00
K2L attachment on INNER link																	
08B-1	7N	12,7	x		x	x		8,51	7,75	16,60	4,80	25,40	35,55	9,20	24,50	12,70	1,30
10B-1	11N	15,875	x		x	x		10,16	9,65	19,00	5,30	31,75	42,65	10,60	29,50	15,88	1,60
16B-1	15T	25,4	x		x	x	(1)	15,88	17,02	35,10	8,40	50,80	74,00	16,15	47,20	25,40	3,90
(*)	17T	31,75	x		x	x		19,05	19,56	40,50	10,40	69	100,00	21,00	57,50	31,7	3,50
K3L attachment on OUTER link																	
12B-1	13N	19,05	x	x	x	x	(1)	12,07	11,68	22,30	6,40	38,10	61,00	13,80	35,10	19,05	1,80
16B-1	15T	25,4	x	x	x	x	(1)	15,88	17,02	35,10	8,40	50,80	74,00	16,15	47,20	25,40	3,00
(*)	17T	31,75	x		x	x		19,05	19,56	40,50	8,4	63,5	94	20,2	58,2	31,75	3,5
K3L attachment on INNER link																	
16B-1	15T	25,4	x		x	x	(1)	15,88	17,02	35,10	8,40	50,80	74,00	16,15	47,20	25,40	3,90

(*) Warning, attachment dimensions do not comply with standards

DOUBLE PITCH CHAINS - comply with ISO 1275

K1, K2 attachment on OUTER link																	
210A	2050	31,75	x		x	x	(1)	10,16	9,65	20,45	5,30	31,60	50,60	12,00	28,00	15,90	2,00
K5 attachment on OUTER link																	
212A	2060	38,1	x		x	x	(1)	11,91	12,65	25,40	6,50	38,60	57,50	12,00	55,50	38,10	2,35

(1): References in Lub Free. In DELTA® VERTE please consult us

Also available in duplex or triplex chains

2060 chain with K5 attachment



APPLICATIONS

Conveyors and special machines, mounting on transport systems using in general two or several chains in parallel

DESPATCH POSSIBLE WITHIN 48 HOURS
for highlighted references
50M MAXIMUM (consult us)



M1C



M3L

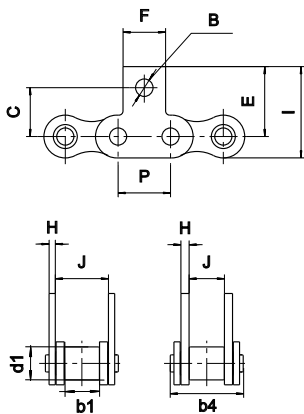
MATCHING POSSIBLE FOR HIGHER ACCURACY

ATTACHMENTS M1C

fitting possible at every pitch on one or both sides

Dimensions in mm

M1C: Short attachment with 1 hole

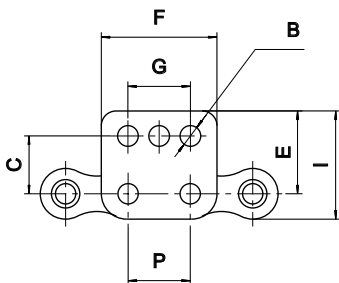


References		Pitch P	GAMME SEDIS					d1 max. min.	b1 max. min.	b4 max. min.	B nom. min.	C nom. min.	E max. min.	F nom. min.	G nom. min.	H nom. max.	I nom. min.	J nom. min.
ISO 606	SEDIS		ALPHA Premium	ALPHA Premium INOX	DELTA® HR	DELTA Titanium 2	VERTE CHAINS											
M1C attachment on OUTER link																		
06B-1	3N	9,525	x		x	x	6,35	5,77	12,50	3,10	10,00	14,60	8,30		1,00	18,70	8,63	
08B-1	7N	12,7	x		x	x	(1) 8,51	7,75	16,60	4,30	13,80	20,00	10,70		1,30	26,10	11,45	
10B-1	11N	15,875	x		x	x	(1) 10,16	9,65	19,00	5,30	16,60	24,00	13,80		1,60	31,05	13,30	
12B-1	13N	19,05	x	x	x	x	(1) 12,07	11,68	22,30	7,12	22,20	32,45	16,50		1,80	40,75	15,75	
16B-1	15T	25,4	x	x	x	x	(1) 15,88	17,02	35,10	8,40	23,50	33,65	20,76		3,00	44,15	25,58	
20B-1	17T	31,75	x		x	x	19,05	19,56	40,50	8,40	31,75	46,00	25,76		3,50	58,83	29,14	
M1C attachment on INNER link																		
08B-1	7N	12,7	x		x	x	8,51	7,75	16,60	4,30	15,00	20,00	10,70		1,60	26,10	7,75	
10B-1	11N	15,875	x		x	x	10,16	9,65	19,00	5,30	18,30	24,00	13,80		1,60	31,05	9,65	
12B-1	13N	19,05	x		x	x	12,07	11,68	22,30	7,12	22,20	32,45	16,50		1,80	40,75	11,68	
16B-1	15T	25,4	x		x	x	15,88	17,02	35,10	8,40	27,30	36,80	20,76		3,90	47,30	17,02	

ATTACHMENTS - M1L - M2L - M3L

fitting possible at every pitch on one or both sides, except for 17T

M1L: Long attachment with 1 hole
M2L: Long attachment with 2 holes
M3L: Long attachment with 3 holes



M1L attachment on OUTER link																	
06B-1	3N	9,525	x		x	x	6,35	5,77	12,50	3,10	10,00	14,60	17,70		1,00	18,70	8,63
08B-1	7N	12,7	x		x	x	(1) 8,51	7,75	16,60	4,30	13,80	20,00	24,50		1,30	26,10	11,45
10B-1	11N	15,875	x		x	x	(1) 10,16	9,65	19,00	5,30	16,60	24,00	29,50		1,60	31,05	13,30
12B-1	13N	19,05	x		x	x	(1) 12,07	11,68	22,30		Use M3L						
16B-1	15T	25,4	x	x	x	x	(1) 15,88	17,02	35,10	8,40	23,50	33,65	47,20		3,00	44,15	25,58
M1L attachment on INNER link																	
08B-1	7N	12,7	x		x	x	8,51	7,75	16,60	4,30	15,00	20,00	24,50		1,60	26,10	7,75
16B-1	15T	25,4	x		x	x	15,88	17,02	35,10	8,40	27,30	36,80	47,20		3,90	47,30	17,02
M2L attachment on OUTER link																	
06B-1	3N	9,525	x		x	x	6,35	5,77	12,50	3,10	10,00	14,60	17,70	9,50	1,00	18,70	8,63
08B-1	7N	12,7	x	x	x	x	(1) 8,51	7,75	16,60	4,80	13,80	20,00	24,50	12,70	1,30	26,10	11,45
10B-1	11N	15,875	x		x	x	(1) 10,16	9,65	19,00	5,30	16,60	24,00	29,50	15,88	1,60	31,05	13,30
12B-1	13N	19,05	x		x	x	(1) 12,07	11,68	22,30		Use M3L						
16B-1	15T	25,4	x	x	x	x	(1) 15,88	17,02	35,10	8,40	23,50	33,65	47,20	25,40	3,00	44,15	25,58
16A-1	80-1	25,4	x		x	x	15,88	15,87	32,80	8,40	23,50	33,65	47,20		3,00	44,15	25,40
M2L attachment on INNER link																	
08B-1	7N	12,7	x		x	x	8,51	7,75	16,60	4,80	15,00	20,00	24,50	12,70	1,60	26,10	7,75
16B-1	15T	25,4	x		x	x	(1) 15,88	17,02	35,10	8,40	27,30	37,00	47,00	25,40	3,90	47,30	17,02
M3L attachment on OUTER link																	
12B-1	13N	19,05	x	x	x	x	(1) 12,07	11,68	22,30	6,40	21,20	32,45	35,10	19,05	1,80	40,75	15,75
16B-1	15T	25,4	x	x	x	x	(1) 15,88	17,02	35,10	8,40	23,50	33,65	47,20	25,40	3,00	44,15	25,58
M3L attachment on INNER link																	
16B-1	15T	25,4	x		x	x	(1) 15,88	17,02	35,10	8,40	27,30	36,80	47,20	25,40	3,90	47,30	17,02

DOUBLE PITCH CHAINS - comply with ISO 1275

M1, M2 attachment on OUTER link																	
210A	2050	31,75	x		x	x	10,16	9,65	20,45	5,30	16,80		28,00		2,00	33,05	13,97
M5 attachment on OUTER link																	
212A	2060	38,1	x		x	x	11,91	12,65	25,40	6,50	17,60		55,50	38,10	2,35	35,70	17,80

(1): References in Lub Free. In DELTA® VERTE please consult us
Also available in duplex or triplex chains

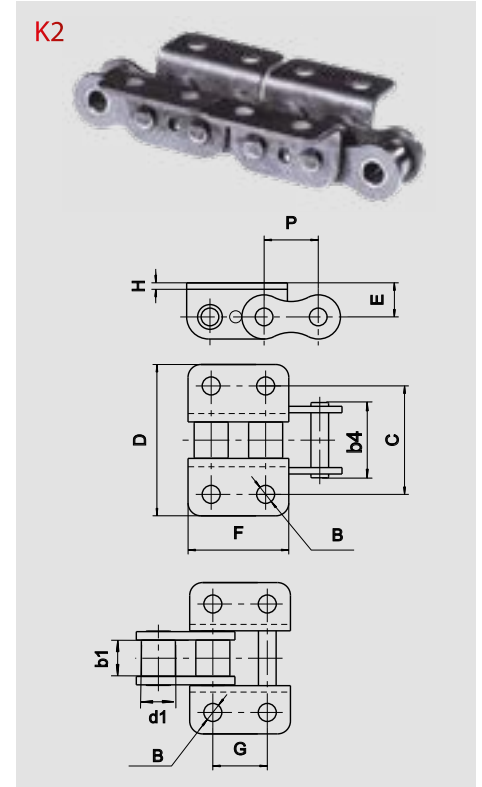
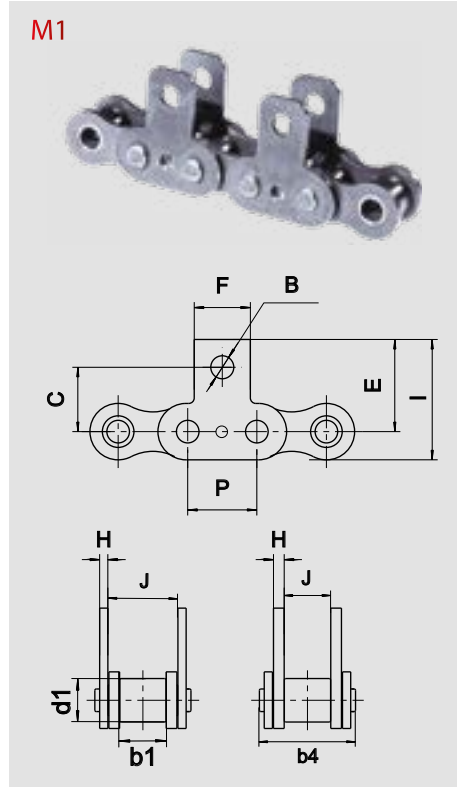
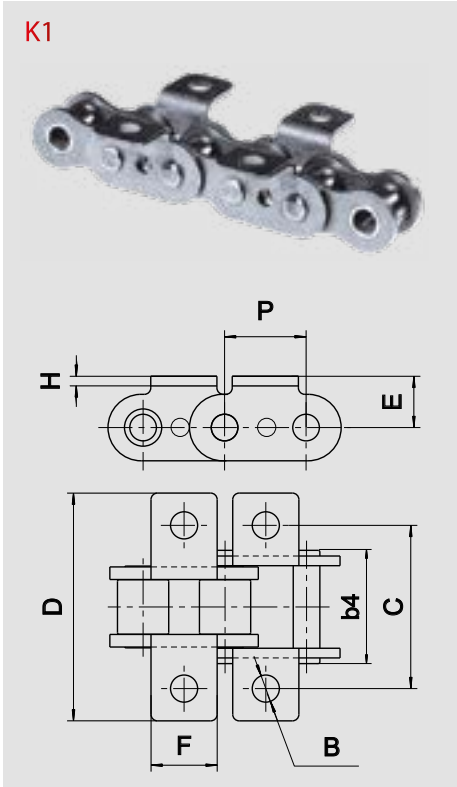
Chains with Special Attachments Type "B"

Attachments not complying with ISO 606 fitted with with chains which complies with ISO 606

APPLICATIONS

Conveyor lines, mounting on transport systems generally using 2 chains in parallel

MATCHING POSSIBLE FOR HIGHER ACCURACY



Dimensions in mm

References		Pitch P	SEDIS RANGE					d1	b1	b4	B	C	D	E	F	G	H	I	J
ISO 606	SEDIS		ALPHA Premium	ALPHA Premium INOX	DELTA® HR	DELTA Titanium 2	VERTE CHAINS												
							max.	min.	max.	min.	nom.	max.	nom.	max.	nom.	min.	max.	min.	
K1 attachment on OUTER link																			
08B-1	7N	12,7	x	x	x	x	(1) 8,51	7,75	16,6	4,30	23,80	36,80	9,20	10,70		1,30			
10B-1	11N	15,875	x	x	x	x	(1) 10,16	9,65	19,0	5,30	31,75	45,00	10,60	13,80		1,60			
K1 attachment K1 on INNER link																			
08B-1	7N	12,7	x		x	x	8,51	7,75	16,6	4,30	23,80	32,90	9,20	10,70		1,60			
10B-1	11N	15,875	x		x	x	10,16	9,65	19,0	5,30	31,75	41,00	10,60	13,80		1,60			
M1 attachment M1 on OUTER link																			
08B-1	7N	12,7	x	x	x	x	(1) 8,51	7,75	16,6	4,30	12,70		19,00	10,70		1,30	25,10	11,45	
10B-1	11N	15,875	x	x	x	x	(1) 10,16	9,65	19,0	5,30	15,90		23,00	13,80		1,60	30,05	13,30	
12B-1	13N	19,05	x		x	x	(1) 12,07	11,68	22,3	7,12	22,20		32,45	16,50		1,80	40,75	15,75	
M1 attachment M1 on INNER link																			
08B-1	7N	12,7	x		x	x	8,51	7,75	16,6	4,30	12,70		19,00	10,70		1,60	25,10	7,75	
10B-1	11N	15,875	x		x	x	10,16	9,65	19,0	5,30	15,90		23,00	13,80		1,60	30,05	9,65	
12B-1	13N	19,05	x		x	x	12,07	11,68	22,3	7,12	22,20		32,45	16,50		1,80	40,75	11,68	
K2 attachment on OUTER link																			
12B-1	13N	19,05	x		x	x	(1) 12,07	11,68	22,3	5,52	34,90	52,00	11,70	35,10	19,05	1,80			
K2 attachment on INNER link																			
12B-1	13N	19,05	x		x	x	12,07	11,68	22,3	5,52	34,90	48,50	11,70	35,10	19,05	1,80			
M2 attachment on OUTER link																			
12B-1	13N	19,05	x		x	x	(1) 12,07	11,68	22,3	5,6	17,65	35,1	26,15	34,45	19,05	1,80			

(1): References in Lub Free. In DELTA® VERTE please consult us

To know the chains' UTS, see tables on pages 18 & 20

Chains with special attachments type "Z"

Attachments with long holes fitted with chains which complies with ISO 606

APPLICATIONS

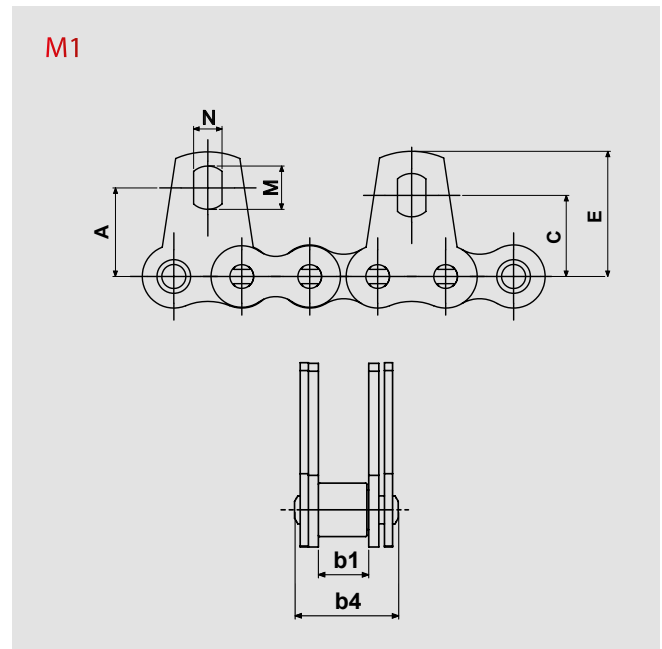
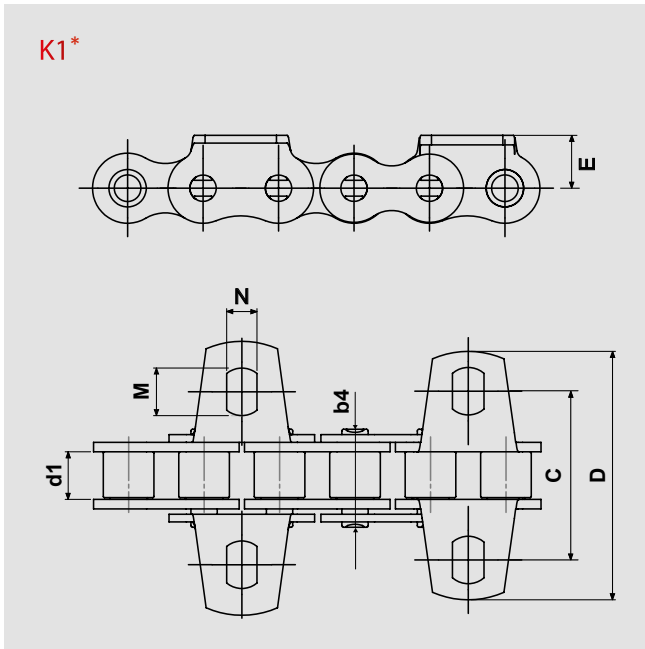
Conveyors, mounting on transport systems using 2 chains in parallel.

MATCHING POSSIBLE FOR HIGHER ACCURACY

DESPATCH POSSIBLE WITHIN 48 HOURS

for highlighted references

50M MAXIMUM (consult us)



Dimensions in mm

References		Pitch mm	SEDIS RANGE					d1 max.	b1 min.	b4 max.	A nom.	C nom.	D max.	E nom.	M min.	N min.
ISO 606	SEDIS		ALPHA Premium	ALPHA Premium INOX	DELTA® HR	DELTA TITANIUM 2	VERTE CHAINS									
K1 attachment on OUTER link																
08B-1	7N	12,7	x	x	x	x	(1)	8,51	7,75	16,6		28,5	45,3	9,2	8	5,2
K1 attachment on INNER link																
08B-1	7N	12,7	x	x	x	x		8,51	7,75	16,6		28,5	42	9,2	8	5,2
M1 attachment on OUTER link																
08B-1	7N	12,7	x	x	x	x	(1)	8,51	7,75	16,6	16,6	15,2	45,3	23,4	8	5,2
M1 attachment on INNER link																
08B-1	7N	12,7	x	x	x	x		8,51	7,75	16,6	16,6	15,2	42	23,4	8	5,2

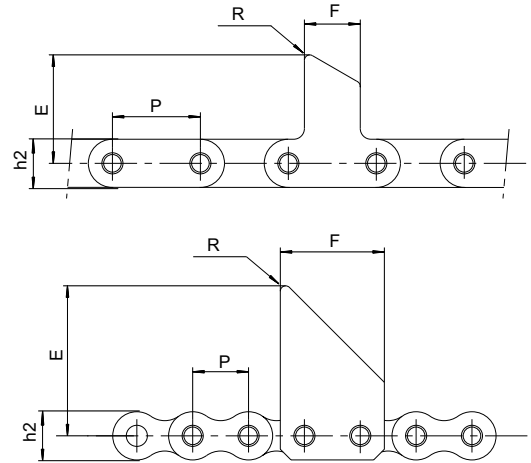
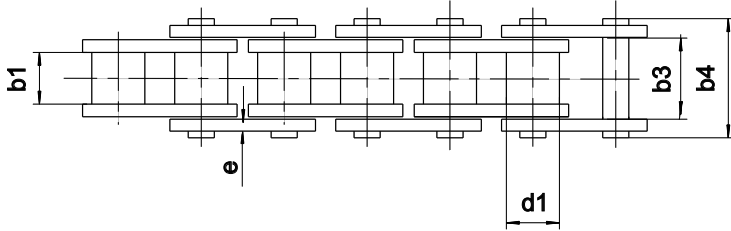
(1): References in Lub Free. In DELTA® VERTE please consult us

To know the chains' UTS, see tables on pages 18 & 20

* Assembly of K1 attachments every 2 pitches minimum

Angled vertical plate chains

Examples of manufacturing



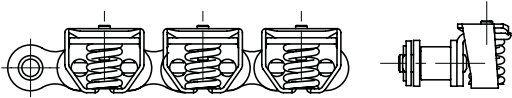
Dimensions in mm

SEDIS References	P	d1	b1	b3	b4	h2	e	E	F	R	Minimum Breaking load kN
		max.	min.	min.	max.	max.	nom.	max.	max.		
Straight side plates											
5310-04	63,5	25,40	25,33	38,05	53,1	32,0	5	76	50	4	180
5310-05	63,5	25,40	25,33	38,05	53,1	32,0	5	134	50	4	180
Waisted plates											
17T	31,75	19,05	19,56	29,15	40,5	25,4	3,5	82	58	3	105
18T	38,1	25,40	25,4	38,05	53,1	32,3	5	76	75	4	180

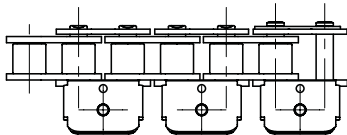
DELTA®, DELTA® TITANIUM and DELTA® VERTE versions are also available, consult us.
All shapes and dimensions possible. Please consult us.

Gripper Chains

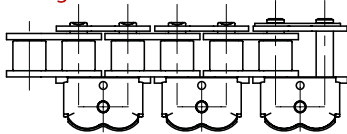
TYPE 1



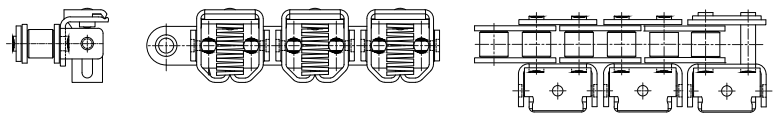
Straight Clamp design



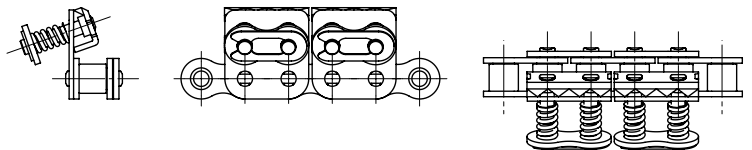
Heart Clamp Design



TYPE 2



TYPE 3



- Springs available with 50N or 100N resistance
- Different shapes of stainless steel grippers available
- Delta® Titanium 2 or nickel-plated versions
- Pitches of 12.7mm and of 15.875mm

Large range of gripper chains. Please consult us.

APPLICATIONS

These chains are usually used for small conveyors using two chains moving on a rail guided by rollers and vertical lugs.



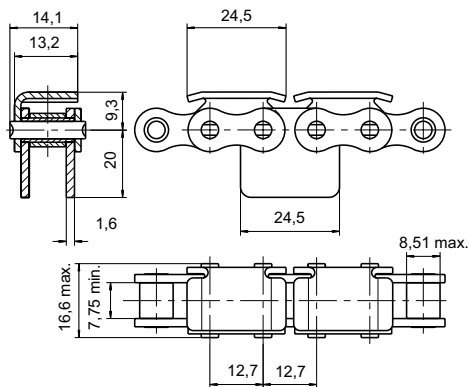
This type of chain is ideal for conveying components which can be accumulated on the conveyor, the chain continuing movement while the parts slide on the "flanged" attachments.

E.g. conveying motor vehicle parts.

Duplex and triplex chains also available

Chain 7N (08B-1) (drawing: 5272-70)

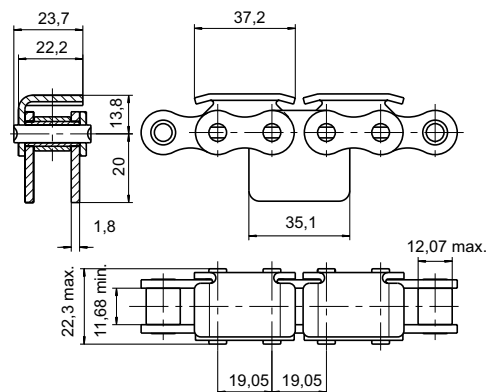
UTS min. = 18.2 kN



Vertical guide plates on request

Chain 13N (12B-1) (drawing 5268-27)

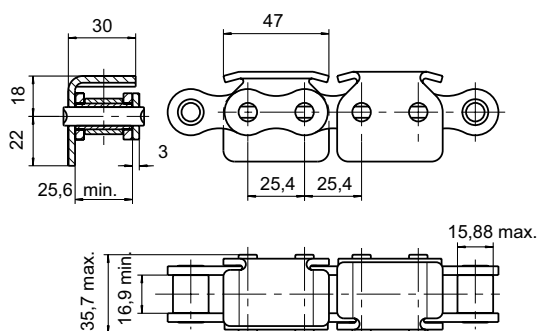
UTS min. = 30.5 kN



Vertical guide plates on request

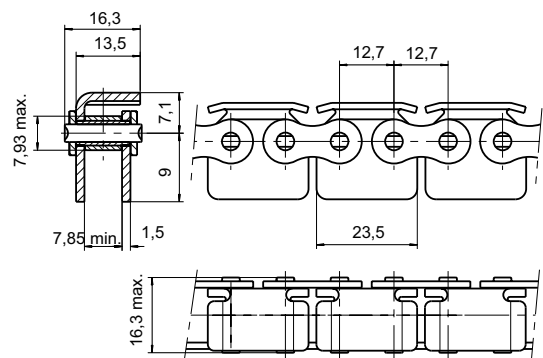
Chain 15T (16B-1) (drawing 5288-03)

UTS min. = 66 kN



Chain 40-1 (08A-1) (drawing 5415-08)

UTS min. = 16.5 kN



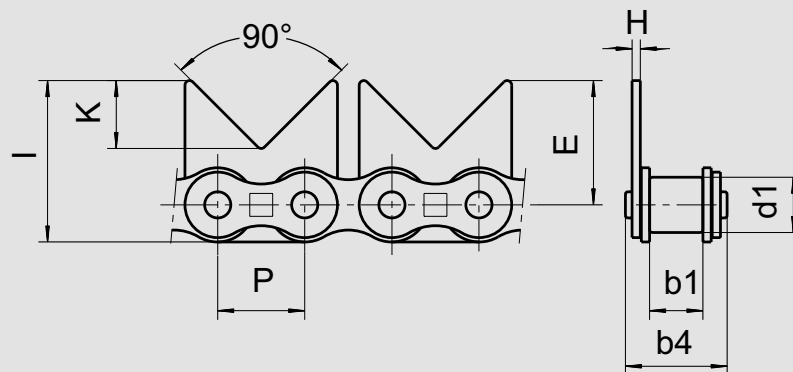
Chains with V-shaped plates - Derived from ISO 606

APPLICATIONS

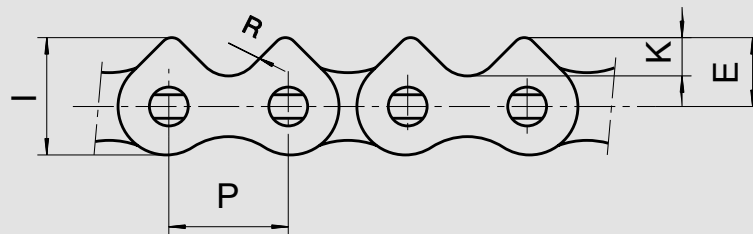
Conveying of cylindrical parts placed directly on the "V" plates.



Type 1



Type 2



Dimensions in mm

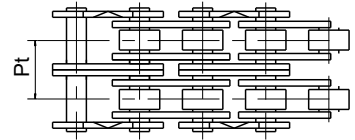
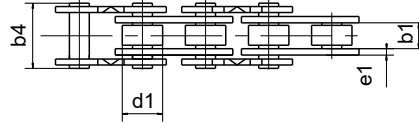
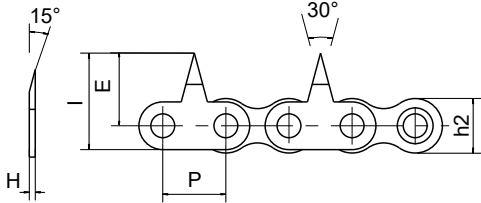
References		Pitch <i>P</i>	VERSIONS			<i>d1</i> max.	<i>b1</i> min.	<i>b4</i> max.	<i>V type</i>	<i>E</i>	<i>H</i>	<i>I</i>	<i>K</i>	<i>R</i>	Minimum Breaking load kN
ISO 606	SEDIS		ALPHA Premium	DELTA® HR	DELTA TITANIUM 2										
081	4L	12,7	x	x	x	7,70	3,30	8,65	1	16,25	1,2	21,25	11,0	.	8,0
	5T	12,7	x	.	.	7,76	5,00	12,30	1	16,25	1,0	20,35	11,0	.	11,6
12 B-1	13N	19,05	x	x	x	12,07	11,68	22,30	1	28,00	1,8	36,00	16,0	.	30,5
16 B-1	15T	25,4	x	x	x	15,88	17,02	35,10	2	14,50	3,0	24,80	6,5	7	66,0
20 B-1	17T	31,75	x	x	x	19,05	19,56	40,50	2	18,10	3,9	30,70	8,6	10	105,0
32B-1	22T	50,80	x	x	x	29,21	30,95	70,10	2	30,00	6,0	51,05	16,1	13	270,0

APPLICATIONS

These chains are usually used for feeding plastic sheets on thermoforming machines and bubble packing machines.



MATCHING POSSIBLE FOR HIGHER ACCURACY



Dimensions in mm

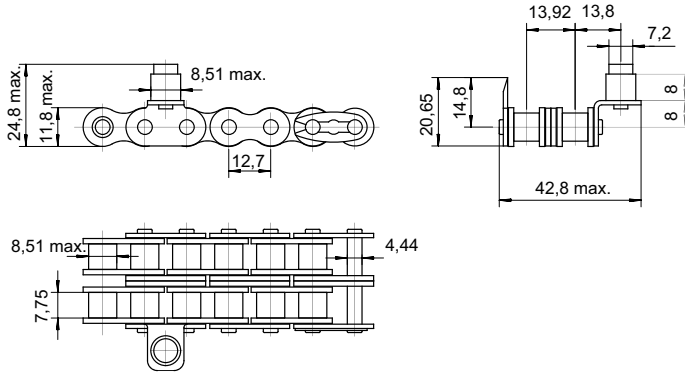
References		Pitch P	SEDIS RANGE				d1 max.	b1 min.	b4	Pt	e1	E	h2	H	l
ISO 606	SEDIS		ALPHA Premium	DELTA® HR	DELTA TITANIUM 2	VERTE CHAINS									
BS standard chains (European series)															
08B-1	7N	12,7	x	x	x	(1)	8,51	7,75	16,60	13,92	1,6	14,5	11,8	1,5	20,4
10B-1	11N	15,875	x	x	x	(1)	10,16	9,65	19,00	16,59	1,6	16,0	13,7	1,5	22,2
Narrow width BS standard chains - (European series)															
	6N	12,7	x	x	x		8,51	5,35	14,10		1,6	14,5	11,8	1,5	20,4
	10N	15,875	x	x	x		10,16	6,50	16,60		1,6	16,0	13,7	1,5	22,2
ANSI standard chains (American series)															
08A-1	40-1	12,7	x	x	x		7,93	7,85	16,30	14,38	1,6	14,5	11,5	1,5	20,4
10A-1	50-1	15,875	x	x	x		10,16	9,65	20,85	18,11	2,0	16,4	13,7	2,0	23,2

- The spike attachments are fitted on outer links at spaces to be specified on the order, on one or both sides
- The spike attachment can be with a sharp or rounded end.
- For chains like 7N, 11N and 40, fitting is possible on duplex and triplex chains.
- For dimension b4, add 1 or 2 transver- sal pitches Pt.
- To know chains UTS, see tables on pages 18 to 21.

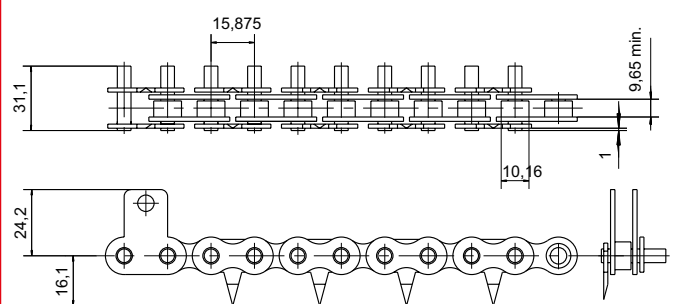
(1): References in Lub Free. In DELTA® VERTE please consult us

Examples of spiked chains

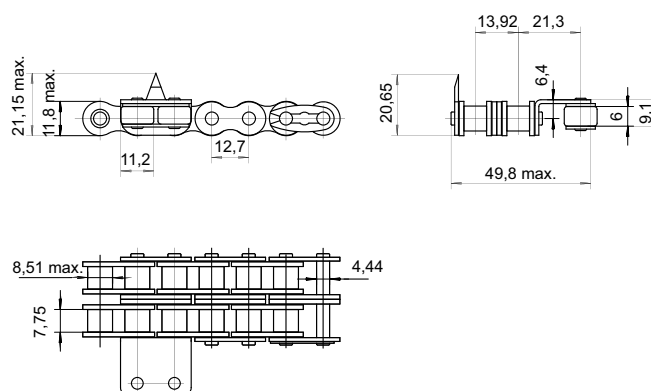
12,7mm chain pitch according to our drawing: 5083-84



15,875mm chain pitch according to our drawing: 5273-40



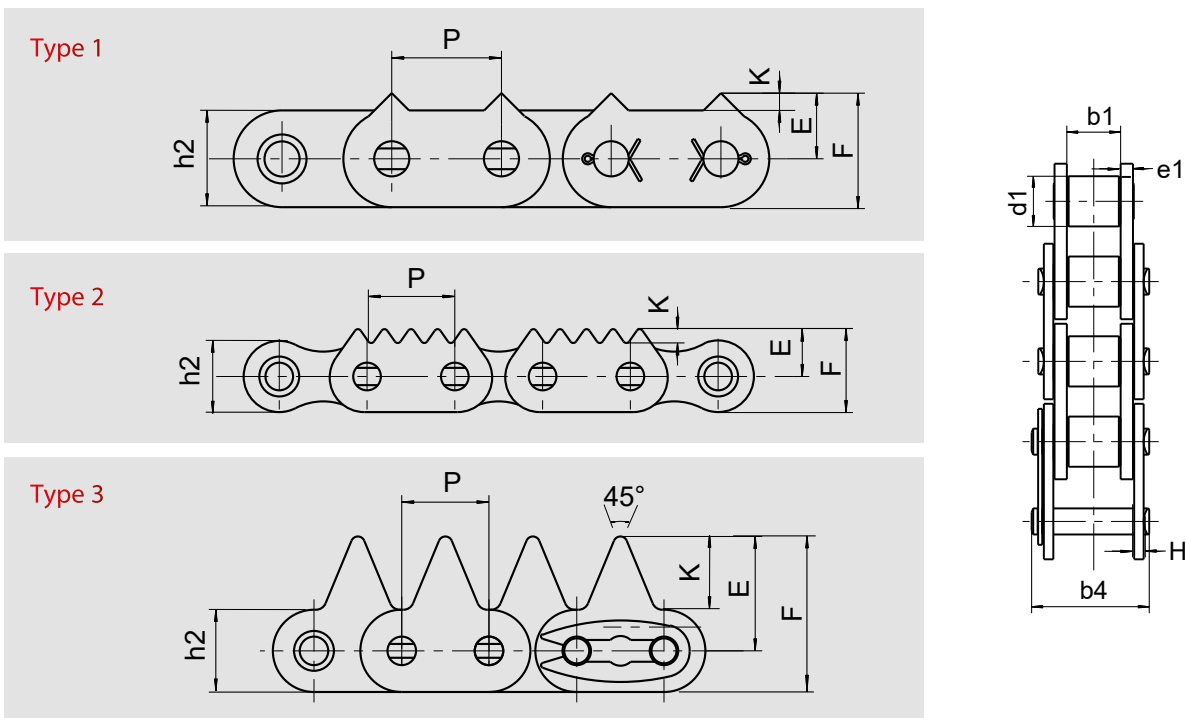
12,7mm chain pitch according to our drawing: 5083-82



Spike plate chains - Derived from ISO 606

APPLICATIONS

These chains are generally used in the wood industry. e.g. conveying wood planks.



Dimensions in mm

References		Pitch <i>P</i>	SEDIS RANGES			Spike type	<i>d1</i> max.	<i>b1</i> min.	<i>b4</i> max.	<i>e1</i>	<i>h2</i>	<i>E</i>	<i>H</i>	<i>I</i>	<i>K</i>	Minimum Breaking load kN
ISO 606	SEDIS		ALPHA Premium	DELTA® HR	DELTA TITANIUM 2											
16 B-1	15T	25,4	x	x	x	2	15,88	17,02	35,1	3,9	20,6	13,7	3,0	24,0	4	66
16 B-1	15T	25,4	x	x	x	3	15,88	17,02	35,1	3,9	23,8	33,3	3,0	45,2	21,4	66
20 B-1	17T	31,75	x	x	x	1	19,05	19,56	40,5	4,5	28,0	19,0	3,5	33,0	5	105

- In duplex and triplex chain for 15T (16B-1) and 17T (20B-1): consult us.

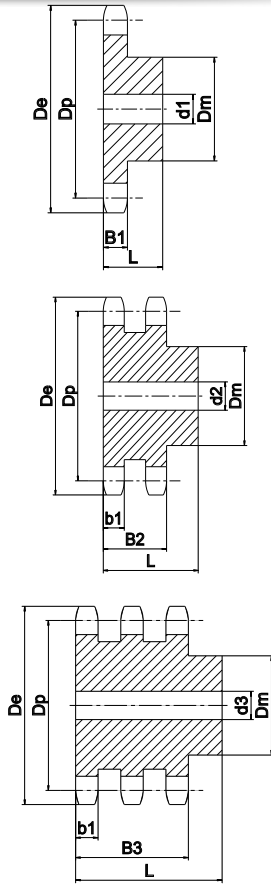
Many other versions possible. Do not hesitate to consult our specific Wood Industry brochure for more details.

WHEELS & SPROCKETS

Sprockets: manufactured in steel
from 12 to 38 teeth (Z)

An unrivaled combination: a chain of quality with a SEDIS sprocket

Dimensions in mm



Pitch mm	Z	Reference		Dp	De	SIMPLEX			DUPLEX			TRIPLEX				
		Industrial Components Catalogue	SEDIS			d1 (1)	Dm (1)	L (1)	d2 (1)	Dm (1)	L (1)	d3 (1)	Dm (1)	L (1)		
9,525	8	P..06B008	8S_03	24,89	28,0	8	15	22	6	15	22	6	15	32		
	9	P..06B009	9S_03	27,85	31,0	8	18	22	8	18	22	8	18	32		
	10	P..06B010	10S_03	30,82	34,0	8	20	22	8	20	22	10	20	32		
	11	P..06B011	11S_03	33,8	37,0	8	22	25	10	22	25	10	22	35		
	12	P..06B012	12S_03	36,80	40,0	8	25	25	10	25	25	10	25	35		
	13	P..06B013	13S_03	39,80	43,0	10	28	25	10	28	25	10	28	35		
	14	P..06B014	14S_03	42,80	46,3	10	31	25	10	31	25	12	31	35		
	15	P..06B015	15S_03	45,81	49,3	10	34	25	10	34	25	12	34	35		
	16	P..06B016	16S_03	48,82	52,3	10	37	28	12	37	30	12	37	35		
	17	P..06B017	17S_03	51,83	55,3	10	40	28	12	40	30	12	40	35		
	18	P..06B018	18S_03	54,85	58,3	10	43	28	12	43	30	12	43	35		
	Width of teeth	b1	5,2	P..06B019	19S_03	57,87	61,3	10	45	28	12	46	30	12	46	35
		B1	5,3	P..06B020	20S_03	60,89	64,3	10	46	28	12	49	30	12	49	35
			P..06B021	21S_03	63,91	68,0	12	48	28	12	52	30	14	52	40	
			P..06B022	22S_03	66,93	71,0	12	50	28	12	55	30	14	55	40	
		B2	15,4	P..06B023	23S_03	69,95	73,5	12	52	28	12	58	30	14	58	40
			P..06B024	24S_03	72,97	77,0	12	54	28	12	61	30	14	61	40	
P..06B025			25S_03	76,00	80,0	12	57	28	12	64	30	14	64	40		
P..06B026			26S_03	79,02	83,0	12	60	28	12	67	30	14	67	40		
P..06B027			27S_03	82,04	86,0	12	60	28	12	70	30	14	70	40		
B3		25,6	P..06B028	28S_03	85,07	89,0	12	60	28	12	73	30	14	73	40	
		P..06B029	29S_03	88,09	92,0	12	60	28	12	76	30	14	76	40		
	P..06B030	30S_03	91,12	94,7	12	60	30	12	79	30	14	79	40			
	P..06B038	38S_03	115,34	119,5	16	70	30	16	90	30	16	90	40			
	F..06B045	45F_03	136,54	140,7	20	70	32	20	80	40	24	90	56			
	F..06B057	57F_03	172,91	176,9	20	70	32	20	80	40	24	90	56			
	F..06B076	76F_03	230,49	234,9	20	70	32	20	80	40	24	100	56			
	F..06B095	95F_03	288,08	292,5	20	80	40	20	90	45	24	100	56			
	F..06B114	114F_03	345,68	349,6	20	80	40	20	95	45	24	100	56			
	F..06B150	150F_03	454,8	459,2	24	90	45	24	100	50	24	125	60			
	12,7	8	P..08B008	8S_07	33,18	37,2	10	20	25	10	20	32	10	20	46	
9		P..08B009	9S_07	37,13	41,0	10	24	25	10	24	32	12	24	46		
10		P..08B010	10S_07	41,10	45,2	10	26	25	10	28	32	12	28	46		
11		P..08B011	11S_07	45,07	48,7	10	29	25	12	32	35	14	32	50		
12		P..08B012	12S_07	49,07	53,0	10	33	28	12	35	35	14	35	50		
13		P..08B013	13S_07	53,06	57,4	10	37	28	12	38	35	14	38	50		
14		P..08B014	14S_07	57,07	61,8	10	41	28	12	42	35	14	42	50		
15		P..08B015	15S_07	61,09	65,5	10	45	28	12	46	35	14	46	50		
16		P..08B016	16S_07	65,10	69,5	12	50	28	14	50	35	16	50	50		
17		P..08B017	17S_07	69,11	73,6	12	52	28	14	54	35	16	54	50		
Width of teeth		b1	7,0	P..08B018	18S_07	73,14	77,8	12	56	28	14	58	35	16	58	50
		B1	7,2	P..08B019	19S_07	77,16	81,7	12	60	28	14	62	35	16	62	50
			P..08B020	20S_07	81,19	86,8	12	64	28	14	66	35	16	66	50	
			P..08B021	21S_07	85,22	89,7	14	68	28	16	70	40	20	70	55	
		B2	21,0	P..08B022	22S_07	89,24	93,8	14	70	28	16	70	40	20	70	55
			P..08B023	23S_07	93,27	98,2	14	70	28	16	70	40	20	70	55	
			P..08B024	24S_07	97,29	101,8	14	70	28	16	75	40	20	75	55	
	P..08B025		25S_07	101,33	105,8	14	70	28	16	80	40	20	80	55		
	P..08B026		26S_07	105,36	110,0	16	70	30	16	85	40	20	85	55		
	B3	34,9	P..08B027	27S_07	109,40	114,0	16	70	30	16	85	40	20	85	55	
		P..08B028	28S_07	113,42	118,0	16	70	30	16	90	40	20	90	55		
P..08B029		29S_07	117,76	120,0	16	80	30	16	95	40	20	95	55			
P..08B030		30S_07	121,50	126,4	16	80	30	16	100	40	20	100	55			
P..08B038		38S_07	153,8	158,6	16	90	35	20	110	40	25	120	55			
F..08B045		45F_07	182,07	188,6	24	70	40	24	90	50	24	100	60			
F..08B057		57F_07	230,54	236,4	24	70	40	24	90	50	24	100	60			
F..08B076		76F_07	307,33	313,3	24	80	40	24	100	56	24	100	60			
F..08B095		95F_07	384,11	390,7	24	80	45	24	100	56	24	120	67			
F..08B114		114F_07	460,9	466,9	24	90	45	24	100	63	24	120	67			

(1) : reference dimensions only - consult us if necessary

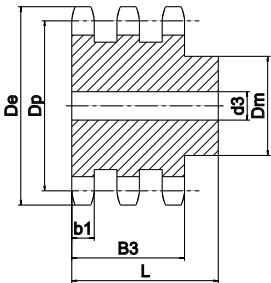
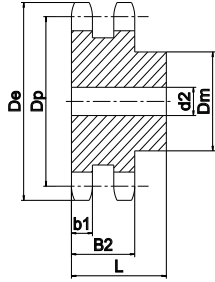
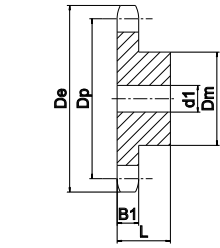
*: Cast iron wheels

.. : 1 for simplex / 2 for duplex / 3 for triplex

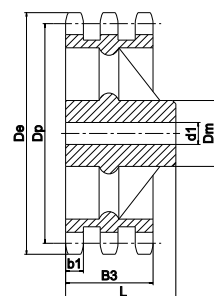
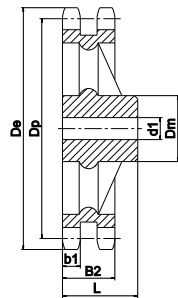
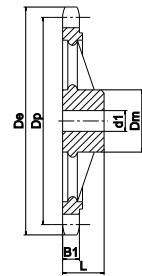
Sprockets: manufactured in steel from 12 to 38 teeth (Z)

Dimensions in mm

Pitch mm	Z	Reference		Dp	De	SIMPLEX			DUPLEX			TRIPLEX					
		Industrial Components Catalogue	SEDIS			d1 (1)	Dm (1)	L (1)	d2 (1)	Dm (1)	L (1)	d3 (1)	Dm (1)	L (1)			
15,875	8	P..10B008	8S_11	41,48	48	10	25	25	12	25	40	12	25	55			
	9	P..10B009	9S_11	46,42	52,6	10	30	25	12	30	40	12	30	55			
	10	P..10B010	10S_11	51,37	57,5	10	35	25	12	35	40	16	35	55			
	11	P..10B011	11S_11	56,34	63	12	37	30	14	39	40	16	39	55			
	12	P..10B012	12S_11	61,34	68	12	42	30	14	44	40	16	44	55			
	13	P..10B013	13S_11	66,32	73	12	47	30	14	49	40	16	49	55			
	14	P..10B014	14S_11	71,34	78	12	52	30	14	54	40	16	54	55			
	15	P..10B015	15S_11	76,36	83	12	57	30	14	59	40	16	59	55			
	16	P..10B016	16S_11	81,37	88	12	60	30	16	64	45	16	64	60			
	17	P..10B017	17S_11	86,39	93	12	60	30	16	69	45	16	69	60			
	Width of teeth	b1	9,0	18	P..10B018	18S_11	91,42	98,3	14	70	30	16	74	45	16	74	60
				19	P..10B019	19S_11	96,45	103,3	14	70	30	16	79	45	16	79	60
		B1	9,1	20	P..10B020	20S_11	101,49	108,4	14	75	30	16	84	45	16	84	60
				21	P..10B021	21S_11	106,52	113,4	16	75	30	16	85	45	20	85	60
				22	P..10B022	22S_11	111,55	118	16	80	30	16	90	45	20	90	60
				23	P..10B023	23S_11	116,58	123,5	16	80	30	16	95	45	20	95	60
		B2	25,5	24	P..10B024	24S_11	121,62	128,3	16	80	30	16	100	45	20	100	60
				25	P..10B025	25S_11	126,66	134	16	80	30	16	105	45	20	105	60
B3		42,1	26	P..10B026	26S_11	131,7	139	20	85	35	20	110	45	20	110	60	
			27	P..10B027	27S_11	136,75	144	20	85	35	20	110	45	20	110	60	
			28	P..10B028	28S_11	141,78	148,7	20	90	35	20	115	45	20	115	60	
			29	P..10B029	29S_11	146,83	153,8	20	90	35	20	115	45	20	115	60	
			30	P..10B030	30S_11	151,87	158,8	20	90	35	20	120	45	20	120	60	
			38	P..10B038	38S_11	192,24	199,2	20	100	35	20	120	45	25	120	60	
			45 *	F..10B045	45F_11	227,58	235	24	80	40	30	100	50	32	100	60	
			57 *	F..10B057	57F_11	288,18	296	24	90	45	30	100	56	32	100	63	
			76 *	F..10B076	76F_11	384,16	392,1	24	90	50	30	100	63	35	110	67	
			95 *	F..10B095	95F_11	480,14	488,5	24	100	56	30	110	63	35	125	70	
			114 *	F..10B114	114F_11	576,13	584,1	24	100	56	30	125	70	35	125	80	
19,05	8	P..12B008	8S_13	49,78	57,6	12	31	30	12	31	45	16	31	65			
	9	P..12B009	9S_13	55,7	62	12	37	30	12	37	45	16	37	65			
	10	P..12B010	10S_13	61,64	69	12	42	30	12	42	45	16	42	65			
	11	P..12B011	11S_13	67,61	75	14	46	35	16	47	50	20	47	70			
	12	P..12B012	12S_13	73,6	81,5	14	52	35	16	53	50	20	53	70			
	13	P..12B013	13S_13	79,59	87,5	14	58	35	16	59	50	20	59	70			
	14	P..12B014	14S_13	85,61	93,6	14	64	35	16	65	50	20	65	70			
	15	P..12B015	15S_13	91,63	99,8	14	70	35	16	71	50	20	71	70			
	16	P..12B016	16S_13	97,65	105,5	16	75	35	20	77	50	20	77	70			
	Width of teeth	b1	10,8	17	P..12B017	17S_13	103,67	111,9	16	80	35	20	83	50	20	83	70
				18	P..12B018	18S_13	109,71	118	16	80	35	20	89	50	20	89	70
		B1	11,1	19	P..12B019	19S_13	115,75	124,2	16	80	35	20	95	50	20	95	70
				20	P..12B020	20S_13	121,78	129,7	16	80	35	20	100	50	20	100	70
				21	P..12B021	21S_13	127,82	136	20	90	40	20	100	50	20	100	70
				22	P..12B022	22S_13	133,86	141,8	20	90	40	20	100	50	20	100	70
		B2	30,3	23	P..12B023	23S_13	139,9	149	20	90	40	20	110	50	20	110	70
				24	P..12B024	24S_13	145,94	153,9	20	90	40	20	110	50	20	110	70
		B3	49,8	25	P..12B025	25S_13	152	160	20	90	40	20	120	50	20	120	70
26				P..12B026	26S_13	158,04	165,9	20	95	40	20	120	50	20	120	70	
27				P..12B027	27S_13	164,09	172,3	20	95	40	20	120	50	20	120	70	
28				P..12B028	28S_13	170,13	178	20	95	40	20	120	50	20	120	70	
			29	P..12B029	29S_13	176,19	184,1	20	95	40	20	120	50	20	120	70	
			30	P..12B030	30S_13	182,25	190,5	20	95	40	20	120	50	20	120	70	
			38	P..12B038	38S_13	230,69	239	20	100	40	25	120	50	25	130	70	
			45 *	F..12B045	45F_13	273,1	282,5	24	100	56	30	110	63	30	140	70	
			57 *	F..12B057	57F_13	345,81	354	30	100	56	30	120	63	40	140	70	
			76 *	F..12B076	76F_13	460,99	469,9	30	100	56	30	135	63	40	160	75	
		95 *	F..12B095	95F_13	576,17	585,1	30	100	65	30	135	70	40	170	82		
			114 *	F..12B114	114F_13	691,36	700,6	30	100	65	30	135	70	50	170	82	



Chainwheels: manufactured in cast iron ≥ to 38 teeth (Z)



(1) : reference dimensions only - consult us if necessary

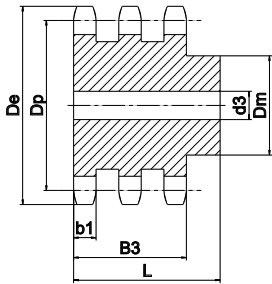
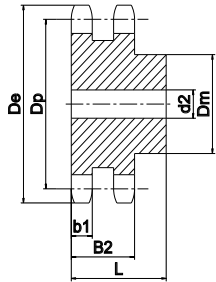
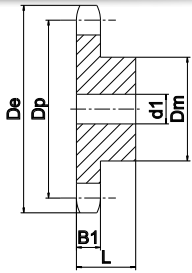
*: Cast iron wheels

.. 1 for simplex / 2 for duplex / 3 for triplex

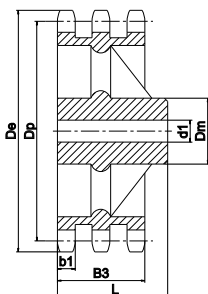
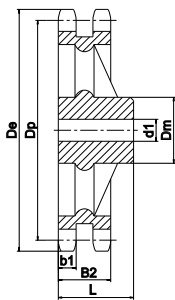
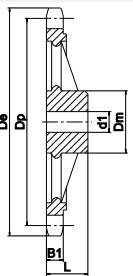
_ : do not add anything for simplex / 2 for duplex / 3 for triplex

SPROCKETS, CHAINWHEELS AND PLATEWHEELS - FOR ROLLER CHAINS BS

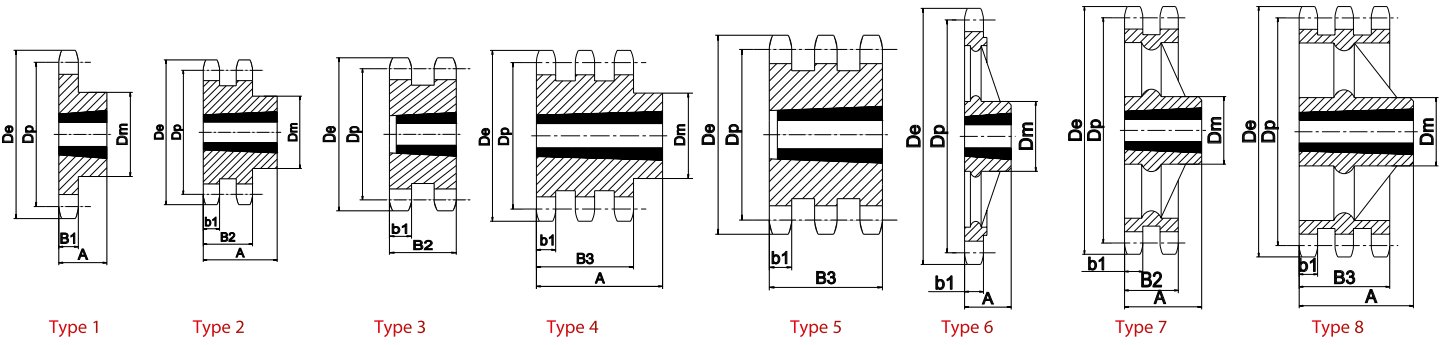
Sprockets: manufactured in steel from 12 to 30 teeth (Z)



Chainwheels: manufactured in cast iron

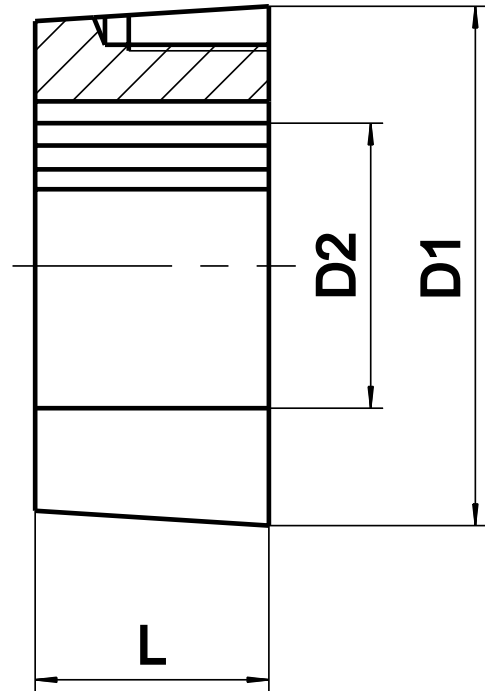
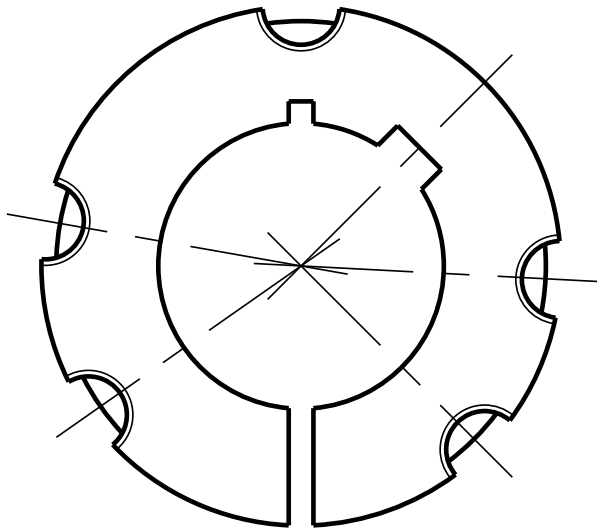


Pitch mm	Z	Reference		Dp	De	SIMPLEX			DUPLEX			TRIPLEX			
		Industrial Components Catalogue	SEDIS			d1	Dm	L	d2	Dm	L	d3	Dm	L	
						(1)	(1)	(1)	(1)	(1)	(1)	(1)	(1)	(1)	(1)
25,4	8	P.16B008	8S_15	66,37	77,0	16	42	35	16	42	65	20	42	95	
	9	P.16B009	9S_15	74,27	85,0	16	50	35	16	50	65	20	50	95	
	10	P.16B010	10S_15	82,19	93,0	16	55	35	16	56	65	20	56	95	
	11	P.16B011	11S_15	90,14	99,5	16	61	40	20	64	70	25	64	100	
	12	P.16B012	12S_15	98,14	109,0	16	69	40	20	72	70	25	72	100	
	13	P.16B013	13S_15	106,12	117,0	16	78	40	20	80	70	25	80	100	
	14	P.16B014	14S_15	114,15	125,0	16	84	40	20	88	70	25	88	100	
	15	P.16B015	15S_15	122,17	133,0	16	92	40	20	96	70	25	96	100	
	Width of teeth	b1	P.16B016	16S_15	141,0	150,0	20	100	45	20	104	70	25	104	100
		B1	P.16B017	17S_15	138,22	149,0	20	100	45	20	112	70	25	112	100
			P.16B018	18S_15	146,28	157,0	20	100	45	20	120	70	25	120	100
		B2	P.16B019	19S_15	154,33	165,2	20	100	45	20	128	70	25	128	100
			P.16B020	20S_15	162,38	173,2	20	100	45	20	130	70	25	130	100
		B3	P.16B021	21S_15	170,43	181,2	20	110	50	25	130	70	25	130	100
			P.16B022	22S_15	178,48	189,3	20	110	50	25	130	70	25	130	100
		P.16B023	23S_15	186,53	197,5	20	110	50	25	130	70	25	130	100	
		P.16B024	24S_15	194,59	205,5	20	110	50	25	130	70	25	130	100	
		P.16B025	25S_15	202,66	213,5	20	110	50	25	130	70	25	130	100	
	P.16B026	26S_15	210,72	221,6	20	120	50	25	130	70	30	130	100		
	P.16B027	27S_15	218,79	229,6	20	120	50	25	130	70	30	130	100		
P.16B028	28S_15	226,85	237,7	20	120	50	25	130	70	30	130	100			
P.16B029	29S_15	234,92	245,8	20	120	50	25	130	70	30	130	100			
P.16B030	30S_15	243	254,0	20	120	50	25	130	70	30	130	100			
P.16B038	38S_15	307,59	320,7	25	120	50	25	140	70	30	140	100			
F.16B045	45F_15	364,12	377,0	30	125	70	40	150	75	45	160	100			
F.16B057	57F_15	461,07	474,0	35	125	70	40	170	90	45	165	100			
F.16B076	76F_15	614,65	627,0	35	140	80	40	175	95	45	200	110			
F.16B095	95F_15	768,22	781,0	40	140	80	45	175	95	50	200	110			
F.16B114	114F_15	921,81	933,0	40	140	80	45	175	95	50	200	115			
31,75	12	P.20B012	12S_17	122,68	137,8	20	88	45	25	90	80	30	90	115	
	13	P.20B013	13S_17	132,65	147,8	20	98	45	25	100	80	30	100	115	
	15	P.20B015	15S_17	152,72	167,9	20	118	45	25	120	80	30	120	115	
	17	P.20B017	17S_17	172,78	187,9	25	120	50	30	120	80	30	120	115	
	19	P.20B019	19S_17	192,91	208,1	25	120	50	30	120	80	30	120	115	
	21	P.20B021	21S_17	213,04	228,2	25	140	55	30	140	80	30	140	115	
	23	P.20B023	23S_17	233,17	248,3	25	140	55	30	140	80	30	140	115	
	25	P.20B025	25S_17	253,33	268,5	25	140	55	30	140	80	30	140	115	
	30	P.20B030	30S_17	303,75	318,9	30	150	55	30	150	80	30	150	115	
	38	P.20B038	38S_17	384,49	399,4	35	125	70	45	140	90	56	180	110	
	F.20B045	45F_17	455,17	470,3	35	125	70	45	140	90	56	180	110		
	F.20B057	57F_17	576,36	591,5	40	135	80	50	160	100	63	180	125		
	F.20B076	76F_17	768,32	784,3	50	140	90	50	180	100	63	200	140		
	F.20B095	95F_17	960,27	975,3	50	140	100	50	200	130	50	210	140		
F.20B114	114F_17	1152,27	1167,3	50	200	110	50	200	160	50	200	160			
38,1	12	P.24B012	12S_18	147,22	162,0	25	102	50	25	102	100	30	102	150	
	13	P.24B013	13S_18	159,18	174,2	25	114	50	25	114	100	30	114	150	
	15	P.24B015	15S_18	183,26	198,2	25	140	50	25	140	100	30	140	150	
	17	P.24B017	17S_18	207,34	222,3	25	140	55	30	150	100	30	150	150	
	19	P.24B019	19S_18	231,49	246,5	25	140	55	30	160	100	30	160	150	
	21	P.24B021	21S_18	255,65	270,5	30	150	60	30	160	100	40	160	150	
	23	P.24B023	23S_18	279,8	294,8	30	150	60	30	160	100	40	160	150	
	25	P.24B025	25S_18	304	319,0	30	150	60	30	160	100	40	160	150	
	30	P.24B030	30S_18	364,5	379,5	30	160	60	30	160	100	40	160	150	
	38	P.24B038	38S_18	461,39	476,2	45	140	90	45	180	100	60	200	150	
	F.24B045	45F_18	546,2	561,2	45	140	90	45	180	100	60	200	150		
	F.24B057	57F_18	691,63	706,5	45	160	100	55	200	110	70	200	150		
	F.24B076	76F_18	921,98	936,9	45	170	100	55	220	120	70	250	150		
	F.24B095	95F_18	1152,3	1167,3	50	200	125	55	220	140	.	.	.		
F.24B114	114F_18	1382,72	1397,7	50	200	125	55	300	180	70	300	200			
44,45	12	P.28B012	12S_20	171,74	189,3	25	125	70	25	125	120	30	125	180	
	13	P.28B013	13S_20	185,75	204,2	25	130	70	25	130	120	30	130	180	
	15	P.28B015	15S_20	213,79	232,3	25	145	70	25	160	120	30	145	180	
	17	P.28B017	17S_20	241,9	260,0	30	160	75	30	160	120	30	160	180	
	19	P.28B019	19S_20	270,06	289,0	30	160	75	30	180	120	30	180	180	
	21	P.28B021	21S_20	298,24	317,0	30	160	75	30	180	120	40	180	180	
	23	P.28B023	23S_20	326,44	345,0	30	170	75	30	180	120	40	180	180	
	25	P.28B025	25S_20	354,66	373,0	30	170	75	30	180	120	40	180	180	
	30	P.28B030	30S_20	425,24	444,0	30	170	75	40	180	120	40	180	180	
	38	P.28B038	38S_20	538,27	560,0	40	200	100	45	240	160	45	240	180	
	F.28B057	57F_20	806,89	828,0	40	200	100	45	240	160	45	240	180		
	F.28B076	76F_20	1075,6	1097,0	40	200	100	45	240	180	45	250	200		
	F.28B095	95F_20	1344,4	1366,0	45	200	120	45	280	180	45	280	200		
	F.28B114	114F_20	1613,2	1634,0	45	220	120	45	280	180	45	280	200		
50,8	12	P.32B012	12S_22	196,29	216,8	30	133	80	30	133	120	30	133	180	
	13	P.32B013	13S_22	212,29	232,8	30	145	80	30	145	120	30	145	180	
	15	P.32B015	15S_22	244,3	264,8	30	160	80	30	160	120	30	160	180	
	17	P.32B017	17S_22	276,46	296,9	30	170	90	30	180	120	30	180	180	
	19	P.32B019	19S_22	308,66	329,1	30	170	90	30	200	120	30	200	180	
	21	P.32B021	21S_22	340,82	361,3	30	180	90	30	200	120	40	200	180	
	23	P.32B023	23S_22	373,08	393,6	30	180	90	30	200	120	40	200	180	
	25	P.32B025	25S_22	405,33	425,8	30	180	90	30	200	120	40	200	180	
	30	P.32B030	30S_22	486	506,5	30	180	90	40	200	120	40	200	180	
	38	P.32B038	38S_22	615,17	642,5	45	200	140	45	250	180	45	260	200	
	F.32B057	57F_22	922,17	950,0	45	200	140	45	250	180	45	260	200		
	F.32B076														



	Z	Reference		De	Dp	Simplex chain				Duplex chain				Triplex chain			
		Industrial Components Catalogue	SEDIS			Dm	A	Bush	Type	Dm	A	Moyeu	Bush	Dm	A	Bush	Type
06B-1, - 2 et - 3 9,525 x 5,72 mm	17	P..MA06B017	17S_03C	55,5	51,83	44	22	10 08	1	42,5	22,0	10 08	2		25,6	10 08	5
	19	P..MA06B019	19S_03C	61,6	57,87	46	22	10 08	1	47	22,0	10 08	2		25,6	10 08	5
	21	P..MA06B021	21S_03C	67,6	63,91	46	22	10 08	1	49	22,0	10 08	2		25,6	10 08	5
	23	P..MA06B023	23S_03C	73,7	69,95	62	25	12 10	1	59	25,0	12 10	2		25,6	12 10	5
	25	P..MA06B025	25S_03C	79,7	76,00	63	25	12 10	1	65	25,0	12 10	2		25,6	12 10	5
	27	P..MA06B027	27S_03C	85,7	82,04	63	25	12 10	1	65	25,0	12 10	2		25,6	12 10	5
	30	P..MA06B030	30S_03C	94,8	91,12	63	25	12 10	1	65	25,0	12 10	2	79	38,0	16 15	4
	38	P..MA06B038	38S_03C	119	115,34	73	25	12 10	1	76	25,0	16 10	2	90	38,0	16 15	4
Width of teeth	B1	5,3															
	b1	5,2															
	B2	15,4															
	B3	25,6															
	*57	F..MA06B057	57F_03C	177,5	172,91	83	25	12 10	6	89	25,0	16 10	7				
	*76	F..MA06B076	76F_03C	235,1	230,49	83	25	12 10	6	89	25,0	16 10	7				
08B-1, - 2 et - 3 12,7 x 7,75 mm	15	P..MA08B015	15S_07C	66,5	61,09	46	22	10 08	1	46	22,0	10 08	2		34,9	10 08	5
	17	P..MA08B017	17S_07C	74,5	69,11	59	25	12 10	1	56	25,0	12 10	2		34,9	12 10	5
	19	P..MA08B019	19S_07C	82,5	77,16	63	25	12 10	1	62	25,0	12 10	2	62	38,0	12 15	4
	21	P..MA08B021	21S_07C	90,6	85,22	71	25	16 10	1	70	25,0	16 10	2	70	38,0	16 15	4
	23	P..MA08B023	23S_07C	98,7	93,27	76	25	16 10	1	79	25,0	16 10	2	70	38,0	16 15	4
	25	P..MA08B025	25S_07C	106,7	101,33	76	25	16 10	1	87	32,0	20 12	2		34,9	20 12	5
	27	P..MA08B027	27S_07C	114,8	109,40	76	25	16 10	1	87	32,0	20 12	2		34,9	20 12	5
	30	P..MA08B030	30S_07C	126,9	121,50	90	32	20 12	1	87	32,0	20 12	2		34,9	20 12	5
Width of teeth	B1	7,2															
	b1	7,0															
	B2	21,0															
	B3	34,9															
	*57	F..MA08B057	57F_07C	237,1	230,54	111	32	20 12	6	111	32,0	20 12	7				
	*76	F..MA08B076	76F_07C	313,9	307,33	111	32	20 12	6	111	32,0	20 12	7				
10B-1, - 2 et - 3 15,875 x 9,65 mm	13	P..MA10B013	13S_11C	73,2	66,32	46	22	10 08	1								
	15	P..MA10B015	15S_11C	83,2	76,36	63	25	12 10	1		25,5	12 10	3		42,1	12 15	5
	17	P..MA10B017	17S_11C	93,3	86,39	71	25	16 10	1		25,5	16 10	3		42,1	12 15	5
	19	P..MA10B019	19S_11C	103,3	96,45	76	25	16 10	1		25,5	16 10	3		42,1	16 15	5
	21	P..MA10B021	21S_11C	113,4	106,52	76	25	16 10	1		25,5	16 10	3		42,1	16 15	5
	23	P..MA10B023	23S_11C	123,5	116,58	76	25	16 10	1		25,5	16 10	3		42,1	20 12	5
	25	P..MA10B025	25S_11C	133,6	126,66	90	32	20 12	1	90	32,0	20 12	2	105	44,0	25 17	4
	27	P..MA10B027	27S_11C	143,6	136,75	90	32	20 12	1	90	32,0	20 12	2	110	44,0	25 17	4
Width of teeth	B1	9,1															
	b1	9,0															
	B2	25,5															
	B3	42,1															
	*57	F..MA10B057	57F_11C	199,1	192,24	100	32	20 12	1					120	44,0	25 17	4
	*76	F..MA10B076	76F_11C	296,6	288,18	111	32	20 12	6								
		F..MA10B076	76F_11C	392,5	384,16	111	32	20 12	6								
12B-1, - 2 et - 3 19,05 x 11,68 mm	13	P..MA12B013	13S_13C	87,8	79,59	63	25	12 10	1								
	15	P..MA12B015	15S_13C	99,8	91,63	71	25	16 10	1	71	38,0	16 10	3		49,8	16 15	5
	17	P..MA12B017	17S_13C	111,9	103,67	76	25	16 10	1	80	38,0	16 10	3		49,8	20 12	5
	19	P..MA12B019	19S_13C	123,9	115,75	90	32	20 12	1	90	32,0	20 12	2		49,8	20 12	5
	21	P..MA12B021	21S_13C	136	127,82	102	45	25 17	1	108	45,0	25 17	2		49,8	25 17	5
	23	P..MA12B023	23S_13C	148,1	139,90	108	45	25 17	1	108	45,0	25 17	2		49,8	25 17	5
	25	P..MA12B025	25S_13C	160,2	152,00	108	45	25 17	1	108	45,0	25 17	2		49,8	25 17	5
	27	P..MA12B027	27S_13C	172,3	164,09	108	45	25 17	1	108	45,0	25 17	2	144	51,0	30 20	4
Width of teeth	B1	11,1															
	b1	10,8															
	B2	30,3															
	B3	49,8															
	*57	F..MA12B057	57F_13C	238,9	230,39	124	45	25 17	1	140	51,0	30 20	2	143	51,0	30 20	4
	*76	F..MA12B076	76F_13C	355,9	345,81	124	45	25 17	6	160	51,0	30 20	7	159	51,0	30 20	8
		F..MA12B076	76F_13C	471,1	460,99	124	45	25 17	6	160	51,0	30 20	7				
16B-1, - 2 et - 3 25,4 x 17,02 mm	13	P..MA16B013	13S_15C	117,7	106,12	73	38	16 15	1								
	15	P..MA16B015	15S_15C	133,7	122,17	76	38	16 15	1		47,7	20 12	3				
	17	P..MA16B017	17S_15C	149,8	138,22	90	32	20 12	1		47,7	25 17	3		79,6	25 17	5
	19	P..MA16B019	19S_15C	165,9	154,33	108	45	25 17	1		47,7	25 17	3		79,6	30 30	5
	21	P..MA16B021	21S_15C	182	170,43	108	44	25 17	1	143	51,0	30 20	2		79,6	30 30	5
	23	P..MA16B023	23S_15C	198,1	186,53	108	44	25 17	1	159	51,0	30 20	2	159	89,0	35 35	4
	25	P..MA16B025	25S_15C	214,2	202,66	108	44	25 17	1	175	51,0	30 20	2	175	89,0	35 35	4
	27	P..MA16B027	27S_15C	230,4	218,79	108	44	25 17	1	175	51,0	30 20	2	175	89,0	35 35	4
Width of teeth	B1	16,2															
	b1	15,8															
	B2	47,7															
	B3	79,6															
	*38	P..MA16B038	38F_15C	319,2	307,59	159	51	30 20	6	146	76,0	30 30	7	178	89,0	35 35	8
	*57	F..MA16B057	57F_15C	474,9	461,07	159	51	30 20	6	178	89,0	35 35	7	216	102,0	40 40	8
	*76	F..MA16B076	76F_15C	628,4	614,65	159	51	30 20	6								
20B-1 31,75 x 19,56 mm	13	P..MA16B013	13S_17C	147,5	132,65	90	32	20 12	1								
	15	P..MA16B015	15S_17C	167,7	152,72	108	44	25 17	1								
	17	P..MA16B017	17S_17C	187,8	172,78	108	44	25 17	1								
	19	P..MA16B019	19S_17C	207,9	192,91	108	44	25 17	1								
	21	P..MA16B021	21S_17C	228	213,04	108	44	25 17	1								
	23	P..MA16B023	23S_17C	248,2	233,17	108	44	25 17	1								
	25	P..MA16B025	25S_17C	268,4	253,33	108											

Taper Bushes



References	D2																L	D1						
10 08	11	12	14	16	18	19	20	22	24	25*							20,1	35						
11 08	11	12	14	16	18	19	20	22	24	25	28*							22,3	38					
12 10	12	14	16	18	19	20	22	24	25	28	30	32*							25,4	47				
12 15	12	14	16	18	19	20	22	24	25	28	30	32*							38,1	47				
16 10	12	14	16	18	19	20	22	24	25	28	30	32	35	38	40	42*	25,4	57						
16 15	12	14	16	18	19	20	22	24	25	28	30	32	35	38	40	42*	38,1	57						
20 12	16	18	19	20	22	24	25	26	28	30	32	35	38	40	42	45	48	50	38,1	70				
25 17	18	19	20	22	24	25	26	28	30	32	35	38	40	42	45	48	50	55	60	65	44,5	85		
30 20	25	28	30	32	35	38	40	42	45	48	50	55	60	65	70	75							50,8	108
30 30	45	48	50	55	60	65	70	75												76,2	108			
35 35	45	48	50	55	60	65	70	75	80	85	90							88,9	127					
40 40	55	60	65	70	75	80	85	90	95	100							101,6	146						
50 50	70	75	80	85	90	95	100	105	110	115	120	125							125,0	178				

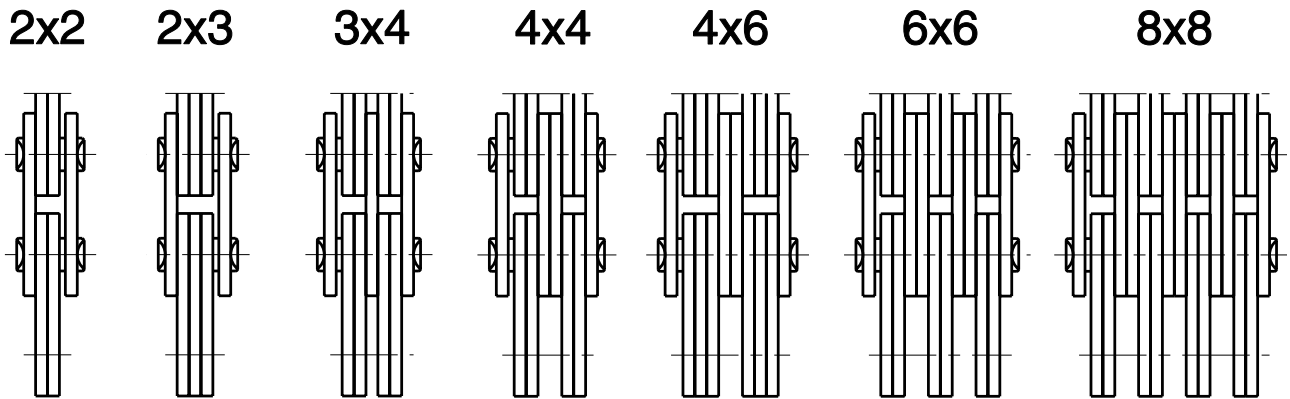
* REDUCED KEY WAY

**MANUFACTURING OF SPECIAL SPLIT SPROCKETS.
ALL DIMENSIONS ON REQUEST.
PLEASE CONSULT US**

LEAF CHAINS

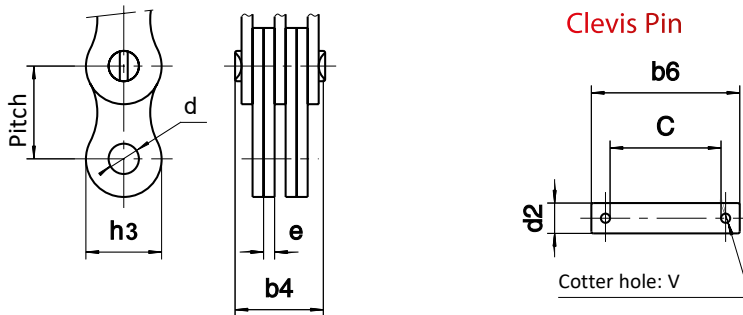


The Lacings Generally Used



OTHER LACINGS ARE ALSO AVAILABLE. CONSULT US

AL Series Chains - Plates issued from American standard roller chains



Dimensions in mm

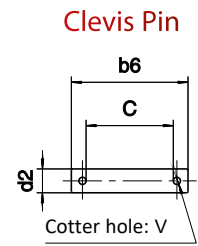
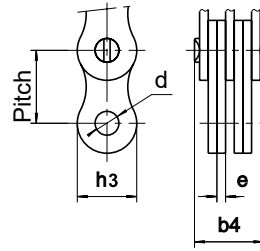
References	Nominal pitch mm	Real pitch mm	Lacing	b4 max.	h3 max.	d min.	e max.	SEDIS UTS		Mass per meter kg	Clevis pin			
								kN	min.		C min.	b6 max.	d2 max.	V
AL422	12,7	12,63	2 x 2	8,2	11,5	3,99	1,55	16,5	0,35	10,0	17,9	3,98	1,8	
AL444			4 x 4	14,6				33,0	0,70	16,2	24,1			
AL466			6 x 6	21,0				49,5	1,01	22,6	30,5			
AL522	15,875	15,82	2 x 2	10,7	13,5	5,10	2,05	27,0	0,65	12,0	21,1	5,09	1,8	
AL544			4 x 4	19,1				54,0	1,25	21,5	29,5			
AL566			6 x 6	27,4				81,0	1,85	29,7	37,9			
AL588			8 x 8	36,7				108,0	2,60	37,9	46,0			
AL622	19,05	19,00	2 x 2	12,3	14,3	5,97	2,40	38,0	0,76	15,0	23,5	5,96	1,8	
AL644			4 x 4	22,3				80,0	1,50	25,0	33,5			
AL666			6 x 6	32,4				120,0	2,25	34,6	43,1			
AL688			8 x 8	41,7				160,0	2,93	44,9	53,4			
AL822	25,4	25,26	2 x 2	17,0	20,8	7,97	3,20	65,7	1,50	20,0	30,2	7,94	2,0	
AL844			4 x 4	30,0				131,4	2,80	33,3	43,5			
AL866			6 x 6	43,0				197,1	4,10	46,5	56,7			
AL888			8 x 8	55,0				262,8	5,40	--	--			--
AL1022	31,75	31,63	2 x 2	20,8	25,4	9,57	4,10	88,5	2,52	25,0	35,3	9,53	2,5	
AL1044			4 x 4	37,4				168,6	4,95	42,0	52,5			
AL1066			6 x 6	54,0				252,8	7,35	55,0	65,5			
AL1222	38,1	37,95	2 x 2	24,4	30,0	11,12	4,90	127,0	3,50	30,0	44,3	11,10	3,2	
AL1244			4 x 4	44,2				254,0	6,90	48,0	62,5			
AL1266			6 x 6	64,0				381,0	10,30	70,0	84,5			
AL1422	44,45	44,32	2 x 2	28,5	35,7	12,75	5,80	172,4	4,65	35,0	50,3	12,70	3,2	
AL1444			4 x 4	51,9				344,8	9,45	60,0	75,3			
AL1466			6 x 6	75,1				517,2	14,10	85,0	100,5			
AL1622	50,8	50,65	2 x 2	32,0	40,5	14,32	6,55	226,8	5,70	42,0	58,2	14,30	3,2	
AL1644			4 x 4	58,5				453,6	11,70	70,0	86,4			
AL1666			6 x 6	84,6				680,4	17,40	95,0	111,5			

ALL OUR LEAF CHAINS CAN BE SUPPLIED WITH AN ANTI-CORROSION TREATMENT OR A TREATMENT AGAINST COLD USAGE. PLEASE CONSULT US

J (LL) series chains - Plates issued from European standard roller chains (B) comply with ISO 4347 international standard



**BEST RATIO
MASS/UTS**

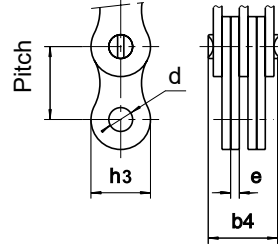


Dimensions in mm

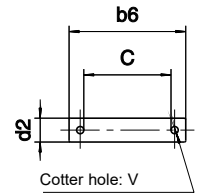
References		Standard	DELTA TITANIUM 2	Nominal Pitch mm	Real pitch mm	Lacing	b4 max.	h3 max.	d min.	e max.	SEDIS UTS		Mass per meter kg	Clevis Pin			
ISO 4347	SEDIS										ISO 4347	SEDIS		C min.	b6 max.	d2 max.	V
											kN						
	J34	x	x	9,525	9,45	2 x 2	6,3	8,3	3,30	1,30	.	9,0	0,26
	J38	x	x			4 x 4	11,6	8,3	3,30	1,30	.	17,6	0,50
LL08-22	J44	x	x	12,7	12,63	2 x 2	8,1	11,5	4,46	1,34	18,0	18,2	0,34	8,6	16,5	4,45	1,6
LL08-44	J48	x	x			4 x 4	13,0	11,5	4,46	1,34	36,0	36,4	0,66	13,9	21,8	4,45	1,6
LL08-66	J412	x	x			6 x 6	18,9	11,5	4,46	1,34	54,0	54,6	1,00	19,3	27,3	4,45	1,6
LL10-22	J54	x	x	15,875	15,82	2 x 2	9,3	12,1	5,10	1,65	22,0	23,0	0,44	10,5	18,4	5,08	1,6
LL10-44	J58	x	x			4 x 4	16,4				44,0	46,0	0,85	17,2	25,5		
LL10-66	J512	x	x			6 x 6	22,2				66,0	69,0	1,30	23,9	32,0		
	J516	x	x			8 x 8	29,1				92,0	1,73	30,5	38,7			
	J524	x	x			12 x 12	42,8				138,0	2,50	43,8	52,0			
LL12-22	J64	x	x	19,05	19,00	2 x 2	10,2	14,3	5,74	1,85	29,0	31,0	0,60	11,7	19,8	5,72	1,6
LL12-44	J68	x	x			4 x 4	17,8				58,0	62,0	1,18	19,4	27,5		
	J611	x	x			6 x 5	23,7				78,0	1,60	25,0	33,1			
LL12-66	J612	x	x			6 x 6	25,5				87,0	1,74	27,2	35,3			
	J615	x	x			8 x 7	31,3				109,0	2,20	33,0	42,0			
	J617	x	x			9 x 8	35,0				125,0	2,50	37,0	46,0			
LL16-22	J84T	x	x			25,4	25,26				2 x 2	16,6	20,8	8,29	3,20		
	J85T	x	x	2 x 3	20,0			75,0	1,79	22,3	34,0						
	J87T	x	x	3 x 4	26,4			110,0	2,51	29,7	40,4						
LL16-44	J88T	x	x	4 x 4	29,6			120,0	2,85	32,3	43,6						
LL16-66	J812T	x	x	6 x 6	42,4	180,0	3,49	45,0	56,5								
	J816T	x	x	8 x 8	55,2	300,0	5,70	61,7	75,0								
LL20-22	J104T	x	x	31,75	31,62	2 x 2	19,1	25,4	10,21	3,70	95,0	105,0	2,10	22,5	35,7	10,18	3,2
LL20-44	J108T	x	x			4 x 4	34,1				190,0	210,0	4,12	37,3	50,6		
LL20-66	J1012T	x	x			6 x 6	48,9				285,0	315,0	6,19	52,1	65,5		
	J1016T	x	x			8 x 8	64,0				420,0	8,25	68,0	81,4			
LL24-22	J1204T	x	x	38,1	37,95	2 x 2	25,8	32,3	14,65	5,20	170,0	180,0	4,00	31,6	47,2	14,62	3,2
LL24-44	J1208T	x	x			4 x 4	46,8				340,0	360,0	8,00	52,4	68,2		
LL24-66	J1212T	x	x			6 x 6	67,5				510,0	540,0	12,00	73,0	88,8		
	J1216T	x	x			8 x 8	88,1				720,0	16,00	94,0	109,5			
LL28-22	J1404T	x	x	44,45	44,30	2 x 2	31,7	33,5	15,92	6,55	200,0	235,0	6,00	39,7	56,8	15,89	4,0
LL28-44	J1408T	x	x			4 x 4	58,0				400,0	470,0	12,00	66,0	83,2		
LL28-66	J1412T	x	x			6 x 6	84,2				600,0	705,0	17,00	92,0	109,2		
	J1416T	x	x			8 x 8	110,3				940,0	23,00	118,2	135,5			
LL32-22	J1604T	x	x	50,8	50,64	2 x 2	30,7	42,3	17,83	6,20	260,0	270,0	6,50	38,2	56,2	17,80	4,0
LL32-44	J1608T	x	x			4 x 4	55,6				520,0	540,0	13,00	63,0	81,1		
LL32-66	J1612T	x	x			6 x 6	80,5				780,0	810,0	19,00	87,8	106,0		
	J1616T	x	x			8 x 8	105,2				1 080,0	25,00	112,5	130,8			
LL40-22	J2004T	x	x	63,5	63,34	2 x 2	39,8	52,8	22,95	8,20	360,0	400,0	10,00	49,7	72,0	22,88	5,0
LL40-44	J2008T	x	x			4 x 4	72,8				720,0	800,0	19,50	82,6	105,0		
LL40-66	J2012T	x	x			6 x 6	105,6				1 080,0	1 200,0	29,00	115,4	138,0		
	J2016T	x	x			8 x 8	138,4				1 600,0	39,00	148,2	171,0			
LL48-22	J2404T	x		76,2	76,04	2 x 2	48,7	64,2	29,25	10,20	560,0	600,0	15,00	60,6	86,0	29,22	6,3
LL48-44	J2408T	x				4 x 4	89,7				1 120,0	1 200,0	29,50	101,8	127,5		
LL48-66	J2412T	x				6 x 6	130,5				1 680,0	1 800,0	44,00	144,8	170,5		
HEAVY SERIES																	
(1)	5611-18	x		15,875	15,82	4 x 4	16,8	13,7	5,10	1,65	55,0	1,05	17,2	25,5	5,08	1,6	
(2)	5611-14	x	5611-16			6 x 6	22,6				82,4	1,70	23,9	32,0			

(1) 5611-18 Heavy series of J58 (LL10-44) chain.
(2) 5611-14 Heavy series of J512 (LL10-66) chain.

LH (BL) Series Chains - comply with ISO 4347 international standards



Clevis Pin

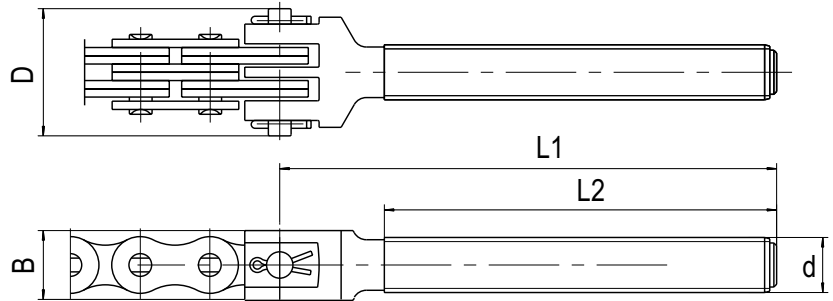


References		Standard	DELTA TITANIUM 2	Nominal pitch mm	Lacing	b4 max.	h3 max.	d min.	e max.	UTS		Mass per meter kg	Clevis Pin			
ASME B29.8	SEDIS et ISO 4347									ISO 4347	SEDIS		C	b6	d2	V
BL 422	LH08-22	x		12,7	2 x 2	10,90	12,07	5,10	2,05	22,2	27,0	0,58	13	21,2	5,08	1,6
BL 423	LH08-23	x			2 x 3	12,90				18	26,1					
BL 434	LH08-34	x			3 x 4	17,30				20	26,1					
BL 444	LH08-44	x			4 x 4	19,40				22	30,5					
BL 446	LH08-46	x			4 x 6	23,10				26	33,1					
BL 446	LH08-66	x			6 x 6	27,30				30	38,5					
-	LH08-88	x			8 x 8	36,25				39	47,5					
BL 522	LH10-22	x	x		2 x 2	12,70				18	23,4					
BL 523	LH10-23	x	x	2 x 3	15,10	18	26,1									
BL 534	LH10-34	x	x	3 x 4	20,00	25	33,1									
BL 544	LH10-44	x	x	4 x 4	22,30	25	33,1									
BL 546	LH10-46	x	x	4 x 6	26,80	30	38,1									
BL 566	LH10-66	x	x	6 x 6	32,20	35	44,2									
-	LH10-88	x	x	8 x 8	42,25	45	53,5									
BL 622	LH12-22	x	x	19,05	2 x 2	17,20	18,1	7,97	3,30	48,9	65,0	1,42	22	31,2	7,92	2,0
BL 623	LH12-23	x	x		2 x 3	20,50				26	35,2					
BL 634	LH12-34	x	x		3 x 4	27,10				30	39,2					
BL 644	LH12-44	x	x		4 x 4	30,50				35	44,2					
BL 646	LH12-46	x	x		4 x 6	37,25				45	54,5					
BL 666	LH12-66	x	x		6 x 6	44,00				48	57,5					
-	LH12-88	x	x		8 x 8	57,25				65	74,5					
BL 822	LH16-22	x	x		2 x 2	21,40				25	35,3					
BL 823	LH16-23	x	x	2 x 3	25,50	30	40,2									
BL 834	LH16-34	x	x	3 x 4	33,80	35	45,2									
BL 844	LH16-44	x	x	4 x 4	37,90	42	52,5									
BL 846	LH16-46	x	x	4 x 6	46,20	48	58,4									
BL 866	LH16-66	x	x	6 x 6	54,50	55	65,5									
-	LH16-88	x	x	8 x 8	71,00	75	85,6									
BL 1022	LH20-22	x		31,75	2 x 2	24,42	29,6	11,12	4,90	115,6	140,0	3,48	30	44,3	11,10	3,2
BL 1023	LH20-23	x			2 x 3	29,40				35	49,2					
BL 1034	LH20-24	x			3 x 4	39,20				45	59,2					
BL 1044	LH20-44	x			4 x 4	44,25				48	62,5					
BL 1046	LH20-46	x			4 x 6	54,00				65	79,3					
BL 1066	LH20-66	x			6 x 6	63,80				70	84,5					
-	LH20-88	x			8 x 8	83,50				90	104,7					
BL 1222	LH24-22	x			38,1	2 x 2				28,40	34,6	12,76	5,80	151,2		
BL 1223	LH24-23	x		2 x 3		34,30	42	57,2								
BL 1234	LH24-34	x		3 x 4		45,90	55	70,3								
BL 1244	LH24-44	x		4 x 4		51,80	60	75,3								
BL 1246	LH24-46	x		4 x 6		63,40	75	90,3								
BL 1266	LH24-66	x		6 x 6		75,10	85	100,5								
-	LH24-88	x		8 x 8		98,30	110	125,5								
BL 1422	LH28-22	x		44,45		2 x 2	32,00	42,0	14,33	6,55				191,3	220,0	6,30
BL 1423	LH28-23	x			2 x 3	38,70	48				64,3					
BL 1434	LH28-34	x			3 x 4	51,80	60				76,3					
BL 1444	LH28-44	x			4 x 4	58,50	70				86,4					
BL 1446	LH28-46	x			4 x 6	71,50	85				101,5					
BL 1466	LH28-66	x			6 x 6	84,60	95				111,5					
-	LH28-88	x			8 x 8	111,00	120				136,5					
BL 1622	LH32-22	x			50,8	2 x 2	36,20				48,3	17,52	7,50	289,1	320,0	8,30
BL 1623	LH32-23	x		2 x 3		43,80	55	73,2								
BL 1634	LH32-34	x		3 x 4		58,80	70	88,3								
BL 1644	LH32-44	x		4 x 4		66,50	80	98,4								
BL 1646	LH32-46	x		4 x 6		81,30	95	113,5								
BL 1666	LH32-66	x		6 x 6		96,50	110	128,7								
-	LH32-88	x		8 x 8		126,40	140	159,0								

Clevises

Our range of clevises is adapted to fit with the most popular inner and outer link plates lacings for the AL, J/LL and LH/BL chains.

Standard Clevises as described hereafter are, by default, of **female type** which connect to the chain with a **clevis pin**. On demand SEDIS can deliver clevises of **male type** which connect to the chain with a **connecting link**.



Dimensions in mm

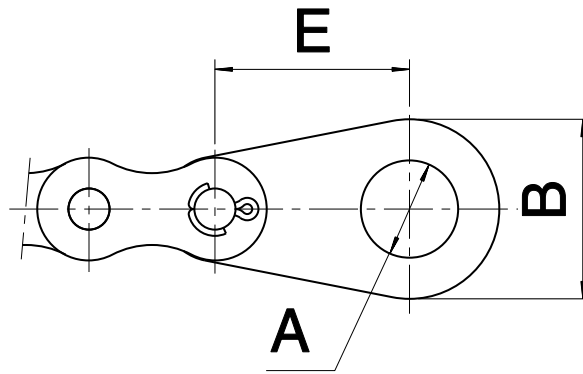
CLEVISES FOR J (LL) CHAINS								
References	Corresponding chain		Lacing	d	D	B	L1	L2
	ISO 4347	SEDIS						
C48R160-120	LL08-44	J48	4 x 4	M14	21,8	20	160	120
C412R172-140	LL08-66	J412	6 x 6	M14	27,3	25	172	140
C54R82-50	LL10-22	J54	2 x 2	M14	18,4	20	82	50
C54R172-140	LL10-22	J54	2 x 2	M14	18,4	20	172	140
C58R117-85	LL10-44	J58	4 x 4	M14	25,5	20	117	85
C58R172-140	LL10-44	J58	4 x 4	M14	25,5	20	172	140
C512R82-50	LL10-66	J512	6 x 6	M14	32,0	25	82	50
C512R105-70	LL10-66	J512	6 x 6	M14	32,0	25	105	70
C512R112-80	LL10-66	J512	6 x 6	M14	32,0	25	112	80
C512R172-140	LL10-66	J512	6 x 6	M14	32,0	25	172	140
C516F172-140		J516	8 x 8	M16	38,7	25	172	140
C524F172-140		J524	12 x 12	M24	52,0	32	172	140
C68R160-130	LL12-44	J68	4 x 4	M14	27,5	25	160	130
C612R75-40	LL12-66	J612	6 x 6	M16	35,3	30	75	40
C612R110-75	LL12-66	J612	6 x 6	M16	35,3	30	110	75
C612R120-80	LL12-66	J612	6 x 6	M16	35,3	30	120	80
C612R135-105	LL12-66	J612	6 x 6	M16	35,3	30	135	105
C612R160-125	LL12-66	J612	6 x 6	M16	35,3	30	160	125
C612R190-160	LL12-66	J612	6 x 6	M16	35,3	30	190	160
C87F178-140		J87	3 x 4	M20	40,4	24	178	140
C88F133-90	LL16-44	J88	4 x 4	M20	43,6	25	133	90
C88F175-140	LL16-44	J88	4 x 4	M20	43,6	25	175	140
C88F250-110	LL16-44	J88	4 x 4	M20	43,6	25	250	110
C88F345-300	LL16-44	J88	4 x 4	M20	43,6	25	345	300
C812F172-135	LL16-66	J812	6 x 6	M20	56,5	25	172	135
C812F222-185	LL16-66	J812	6 x 6	M20	56,5	25	222	185
C812F287-250	LL16-66	J812	6 x 6	M20	56,5	25	287	250
C816F235-190		J816	8 x 8	M20	75,0	30	235	190
C108F194-135	LL20-44	J108	4 x 4	M24	50,6	32	194	135
C108F239-180	LL20-44	J108	4 x 4	M24	50,6	32	239	180
C1012F165-115	LL20-66	J1012	6 x 6	M24	65,5	40	165	115
C1012F250-200	LL20-66	J1012	6 x 6	M24	65,5	40	250	200
C1012F323-205	LL20-66	J1012	6 x 6	M24	65,5	40	323	205
C1012F430-165	LL20-66	J1012	6 x 6	M24	65,5	40	430	165
C1016F250-200		J1016	8 x 8	M24	81,4	40	250	200
C1204F285-160	LL24-22	J1204	2 x 2	M24	47,2	39	285	160
C1208F192-135	LL24-44	J1208	4 x 4	M30	68,2	39	192	135
C1212F285-160	LL24-66	J1212	6 x 6	M36	88,8	50	285	160
C1212F285-180	LL24-66	J1212	6 x 6	M36	88,8	50	285	180
C1212F305-180	LL24-66	J1212	6 x 6	M36	88,8	50	305	180
C1212F400-200	LL24-66	J1212	6 x 6	M36	88,8	50	400	200
C1608F255-180	LL32-44	J1608	4 x 4	M36	81,1	60	255	180
C1612F375-200	LL32-66	J1612	6 x 6	M36	106,0	60	375	200

CLEVISES FOR LH (BL) AND AL CHAINS								
References	Corresponding chain		Lacing	d	D	B	L1	L2
	ISO 4347	SEDIS						
C0823R110-75	LH0823	AL523	2 x 3	M12	26,1	20	110	75
C0834R95-70	LH0834	AL534	3 x 4	M12	26,1	20	95	70
C0844R110-75	LH0844	AL544	4 x 4	M14	33,1	25	110	75
C0846R110-75	LH0846	AL546	4 x 6	M14	33,1	25	110	75
C0866F172-140	LH0866	AL566	6 x 6	M16	38,5	35	172	140
C1023R172-140	LH1023	AL623	2 x 3	M14	26,1	20	172	140
C1034R172-140	LH1034	AL634	3 x 4	M14	33,5	30	172	140
C1044R172-140	LH1044	AL644	4 x 4	M14	33,5	30	172	140
C1044F130-95	LH1044	AL644	4 x 4	M14	33,5	20	130	95
C1046F110-80	LH1046	AL646	4 x 6	M16	38,1	20	110	80
C1046F172-140	LH1046	AL646	4 x 6	M16	38,1	20	172	140
C1066F110-60	LH1066	AL666	6 x 6	M20	44,2	25	110	60
C1066F172-140	LH1066	AL666	6 x 6	M20	44,2	25	172	140
C1066F240-130	LH1066	AL666	6 x 6	M20	44,2	25	240	130
C1088F160-120	LH1088	AL688	8 x 8	M20	53,8	25	160	120
C1223F178-140	LH1223	AL823	2 x 3	M20	35,2	25	178	140
C1234F178-140	LH1234	AL834	3 x 4	M20	39,1	25	178	140
C1244F93-55	LH1244	AL844	4 x 4	M20	44,2	25	93	55
C1244F178-140	LH1244	AL844	4 x 4	M20	44,2	25	178	140
C1246F178-130	LH1246	AL846	4 x 6	M20	54,1	25	178	130
C1246F178-140	LH1246	AL846	4 x 6	M20	54,1	25	178	140
C1246F270-230	LH1246	AL846	6 x 6	M20	54,1	25	270	230
C1266F128-80	LH1266	AL866	6 x 6	M20	57,5	25	128	80
C1266F178-140	LH1266	AL866	6 x 6	M20	57,5	25	178	140
C1266F188-135	LH1266	AL866	6 x 6	M20	57,5	25	188	135
C1622F160-120	LH1622	AL1022	2 x 2	M20	35,3	25	160	120
C1622F178-140	LH1622	AL1022	2 x 2	M20	35,3	25	178	140
C1623F160-120	LH1623	AL1023	2 x 3	M20	40,2	25	160	120
C1623F178-140	LH1623	AL1023	2 x 3	M20	40,2	25	178	140
C1634F160-120	LH1634	AL1034	3 x 4	M20	45,2	25	160	120
C1634F178-140	LH1634	AL1034	3 x 4	M20	45,2	25	178	140
C1644F118-80	LH1644	AL1044	4 x 4	M20	52,5	25	118	80
C1644F178-140	LH1644	AL1044	4 x 4	M20	52,5	25	178	140
C1646F160-120	LH1646	AL1046	4 x 6	M20	58,2	25	160	120
C1646F178-140	LH1646	AL1046	4 x 6	M20	58,2	25	178	140
C1666F160-120	LH1666	AL1066	6 x 6	M24	65,5	32	160	120
C2023F240-180	LH2023	AL1223	2 x 3	M24	49,2	32	240	180
C2044F178-140	LH2044	AL1244	4 x 4	M24	62,5	32	178	140
C2044F240-180	LH2044	AL1244	4 x 4	M24	62,5	32	240	180
C2046F200-120	LH2046	AL1246	4 x 6	M24	79,3	32	200	120
C2066F200-120	LH2066	AL1266	6 x 6	M30	84,5	32	200	120
C2066F285-160	LH2066	AL1266	6 x 6	M30	84,5	32	285	160
C2846F250-150	LH2846	AL1646	4 x 6	M36	101,5	45	250	150

- Clevises are also available in L1 and L2 lengths different from those in above table
- When ordering your chain, please make sure wether the clevis must be delivered with or without the axle

End links

When the use of clevises is unsuitable, special **end links** are available.



Dimensions in mm

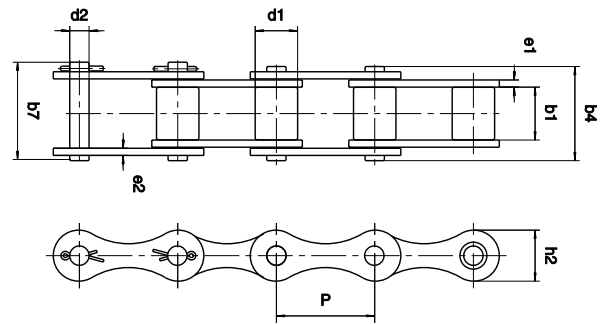
Chain	A	B	E
AL5	16,0	28,0	31,8
AL6	14,1	25,0	35,0
LH08	8,3	18,0	20,0
	10,3	20,0	31,8
J4 (LL08)	8,2	16,0	18,0
	6,5	16,0	18,0
	10,3	22,0	30,0
	10,0	20,0	30,0
J5 (LL10)	10,3	22,0	25,0
	12,0	22,0	44,7
	12,0	22,0	25,0
	12,0	25,0	45,0
	16,0	28,2	31,8
J6 (LL12)	10,0	22,0	25,0
	10,1	20,0	25,0
	10,3	20,0	25,0
J8 (LL16)	15,0	30,5	40,0
	12,3	30,5 (flated)	40,0
	12,0	25,0	30,0
	16H7	35,0	38,1
	18,0	36,0	38,5
	19,1	36,0	39,0
	24,0	50,0	65,0
	25,0	44,0	50,0
	25,0	44,0	51,0
J10 (LL20)	20,0	40,0	60,0
	25,0	44,0	63,5
J12 (LL24)	24,0	52,3	65,0
	32,0	56,0	76,2
J16 (LL32)	36,0	60,0	70,0
	35,0	80,0	91,5
	35,0	80,0	75,0
	36H10	60,5	70,8

All dimensions possible. Please consult us.

AGRICULTURAL CHAINS



Roller chain ISO 487 S type chains - comply with ISO 487 international standard



- Chains S55 and S62 are fitted with large rollers $d1 > h2$
- These chains are zinc plated

Dimensions in mm

References	Pitch	d1 max.	b1 min.	b4 max.	b7 max.	d2 max.	h2 max.	e1	e2	UTS kN	Mass per meter kg
	P							max.			
S52	38,1	15,20	22,20	37,3	42,5	5,78	17,20	3,06	2,60	27	1,6
S45	41,4	15,20	22,20	37,3	42,5	5,78	17,20	3,06	2,60	23	1,5
S55	41,4	17,80	22,20	37,3	42,5	5,78	17,20	3,06	2,60	23	1,8
S55R	41,4	17,80	22,20	39,5	43,0	8,13	21,66	3,15	3,15	45	2,4
S62	41,9	19,00	25,40	40,5	45,7	5,78	17,20	3,06	3,06	29	2,2

Connecting links

Cranked link



N°205: Outer link to rivet



N°208: Cottered link



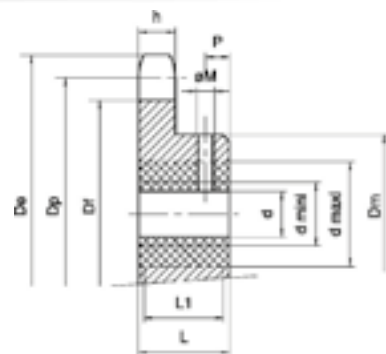
N°216: Single crank cottered link

Standard Sprockets for Chains S55

Shapes and profiles of teeth comply with NFE 23-105 standard

MANUFACTURING

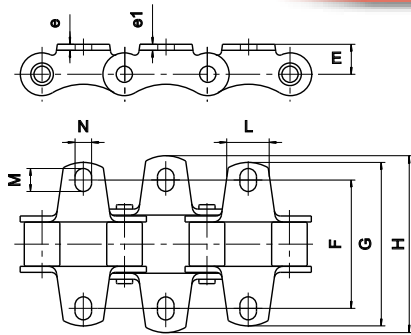
- Material: cast iron (as-cast including teeth)
- On request, we can finish these parts according to dimensions L1, d, ΦM and P given in the right hand columns of the table, and all pin grooves (table hereafter)
- Keyways also possible



Dimensions in mm

References	Number of teeth	SPROCKETS in STOCK							FINISHING (on request)				
		Dp	De	Df	d max.	h	Dm	L	L1	d min. max.		ΦM	p
9S55	9	122,0	133	105	20	18	85	50	47	25	50	M8	16
11S55	11	148,2	159	131	20	18	90	50	47	25	50	M8	16
13S55	13	174,5	186	157	20	18	100	56	53	25	60	M10	18
15S55	15	200,8	212	184	20	18	100	56	53	25	60	M10	18

Fitted with K1 attachments

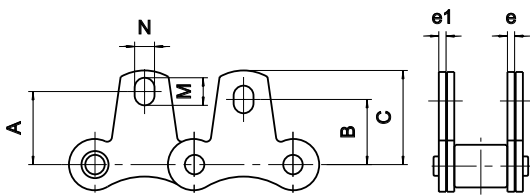


French standard: NFE 26-105

Dimensions in mm

References	E nom.	e nom.	e1 nom.	N min.	M min.	L nom.	F nom.	G max.	H max.
S52					9,9		59,0	77,5	77,5
S45	11,7	2,5	2,5	8,3	13,3	20	54,0	74,9	74,9
S55					13,3		54,0	74,9	74,9
S62	11,7	3,0	3,0	8,3	15,8	20	66,6	95,3	95,3
S55R	15,3	3,0	3,0	8,3	11,5	20	64,5	84,0	90,0

Fitted with M1 attachments

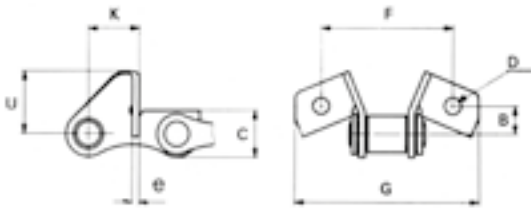


French standard: NFE 26-105

Dimensions in mm

References	A nom.	B nom.	C max.	e1 nom.	e nom.	M min.	N min.
S52	22,10	22,1	31,7			9,9	
S45	19,80	19,8	30,2	2,5	2,5	13,3	8,3
S55	19,80	19,8	30,2			13,3	
S62	24,60	24,6	38,6	3,0	3,0	15,8	8,3
S55R	30,50	27,2	39,5	3,0	3,0	11,5	8,3

Fitted with SE attachments



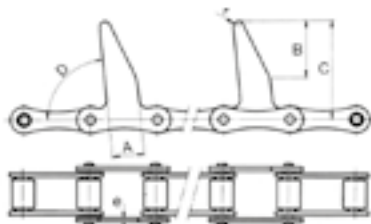
(on inner link only)

Dimensions in mm

References	B nom.	C nom.	e nom.	F nom.	G maxi	K nom.	U max.	D min.
S45	13,6	17,0	2,5	61,7	89,8	24,0	28,0	9,0
S55								

Fitted with hooked plates

Use on loaders-collectors of bales of hay, straw, etc...

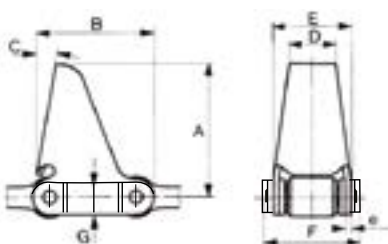


Dimensions in mm

References	A nom.	B nom.	C nom.	D	e nom.
S45	20	35	61,5	85°	2,5
S52	20	35	61,5	85°	2,5
S55	20	35	61,5	85°	2,5

Fitted with scooped plates
and treated external scraping plates

Used for harvesting maize (corn)



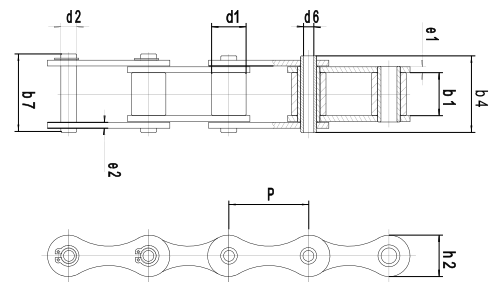
(on outer link only)

Dimensions in mm

References	A	B	C	D	E	F	G	e
S62	65,0	57,2	11°	23	38	49	17,2	3

A-type "Agricultural" Chains (hollow pin chains)

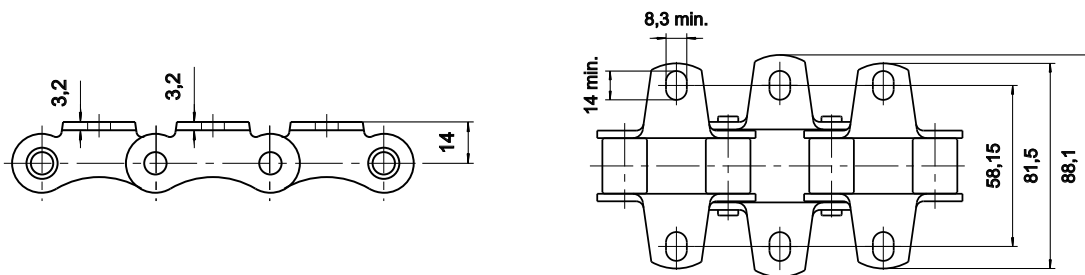
- These hollow pin chains allow the use of $\phi 8$ rods ($\phi 10$ mm for B255 chain)
- Connecting links available:
 - with spring clip or normal outer link for A55BC and A55 INOX
 - with cottered connecting link or normal outer link for chains A155TS and B255



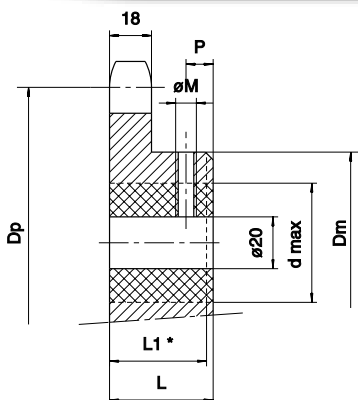
Dimensions in mm

References	Pitch P	d1 max.	b1 min.	b4 max.	b7 max.	d2 max.	d6 min.	h2 max.	e1 e2		UTS kN	Mass per meter kg
									max.			
A55BC	41,75	17,1	19,9	35,7	38,0	11,11	8,1	21,65	3,2	3,2	22,6	1,4
A155TS	41,75	17,1	19,9	35,7	42,5	11,11	8,1	25,26	3,2	3,2	49,0	2,0
B255	41,75	17,1	19,9	39,0	42,7	14,11	10,3	25,26	4,1	3,2	49,0	2,1
A55 INOX	41,75	17,1	19,9	35,0	36,7	11,11	8,2	20,50	3,2	3,2	17,6	1,3

K1 Attachments for A55BC (zinc bi-chromate plated)



Standard sprockets for chains A55 and A155TS

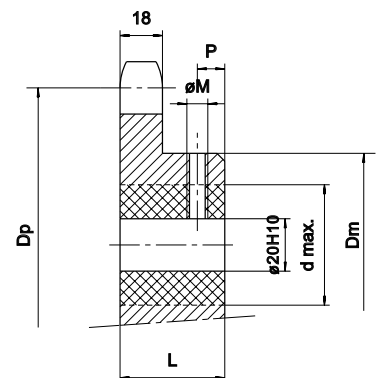


$L1^* = L - 3$

Dimensions in mm

MANUFACTURING

- These steel sprockets are proposed either in cut or trimmed version. Cast iron sprockets are unpolished, tooth included.
- Any machining of these parts will be on demand and in relation to dimensions L1,d,M,P mentioned into the right column of the hereafter table
- Keyways also possible.



Dimensions in mm

CAST IRON SPROCKETS: as cast							
References	Number of teeth	Dp	L	Dm	d max.	P	ØM
9F55	9	122,0	50	85	50	16	M8
11F55	11	148,2	50	90	50	16	M8
13F55	13	174,5	56	100	60	18	M10
15F55	15	200,8	56	100	60	18	M10

STEEL SPROCKETS: machined							
References	Number of teeth	Dp	L nom.	Dm max.	d max.	P nom.	ØM
9A55	9	122	50	80	50	12,5	M8
11A55	11	148,2	50	100	60	12,0	M8
13A55	13	174,5	63	130	85	16,0	M10
15A55	15	200,8	63	165	110	16,0	M10

CONVEYOR CHAINS

Solid bearing pin chains according to ISO 1977

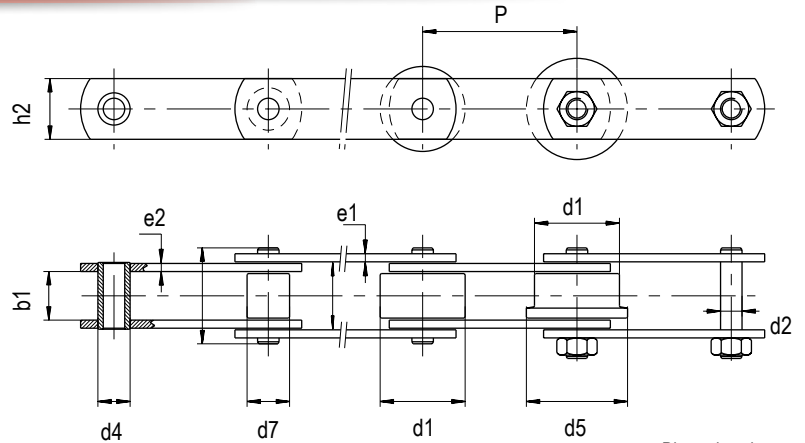
These chains are:

- bush chains (d4)
- small roller chains (d7)
- big roller chain (plain (d1) or flanged (d5))

The big rollers are heat treated. We can deliver other metallurgy treatments on demand (hardening, quenching, high frequency, etc...)

The connecting links available:

- screwed connecting link N° 209
- cottered connecting link N° 208



Dimensions in mm

Chain	Pitch (intermediate pitches on request)												b1 min.	b3 min.	h2 ave.	b4 max.	e1 ave.	e2 ave.	d2 max.	d4 max.	d7 max.	d1 max.	d5 max.	Rr (kN) min.	
	40	50	63	80	100	125	160	200	250	315	400	500													630
M 20	*													15,5	22,5	17	30,6	2,5	2,5	6	9	12,5	25	32	20
M 56			*											23,2	33,6	30	47,4	4,0	4,0	10	15	21,0	42	50	65
M 80														28,0	39,6	35	55,4	5,0	5,0	12	18	25,0	50	60	100
M 112				*										32,0	45,7	40	62,0	5,0	6,0	15	21	30,0	60	70	140
M 160					*									37,0	52,7	50	72,0	6,0	7,0	18	25	36,0	70	85	200
M 224						*								43,0	60,8	60	81,2	6,0	8,0	21	30	42,0	85	100	270
M 315							*							48,0	70,8	70	94,2	8,0	10,0	25	36	50,0	100	120	420
M 450														56,0	82,9	80	112,5	10,0	12,0	30	42	60,0	120	140	570
M 630														66,0	97,0	100	131,5	12,0	15,0	36	50	70,0	140	170	630
M 900								*						78,0	113,0	120	153,0	14,0	16,0	44	60	85,0	170	210	900

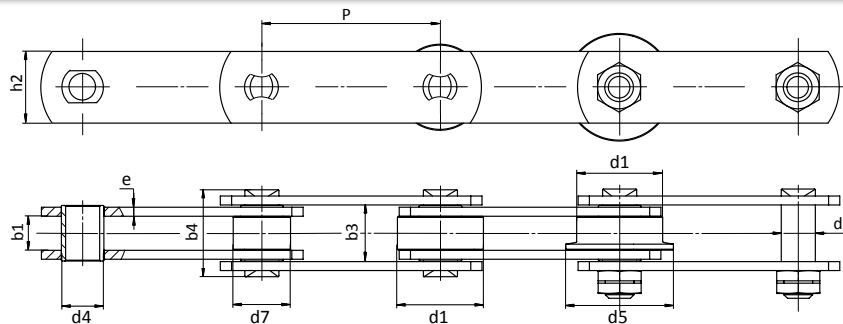
■ Réalisable

✕ Livraison possible sous 3 semaines

* chaînes réalisables seulement à douilles et à rouleaux

THESE CHAINS CAN BE MANUFACTURED IN DELTA® HR / DELTA® TITANIUM 2 / VERTE®
PLEASE CONTACT US

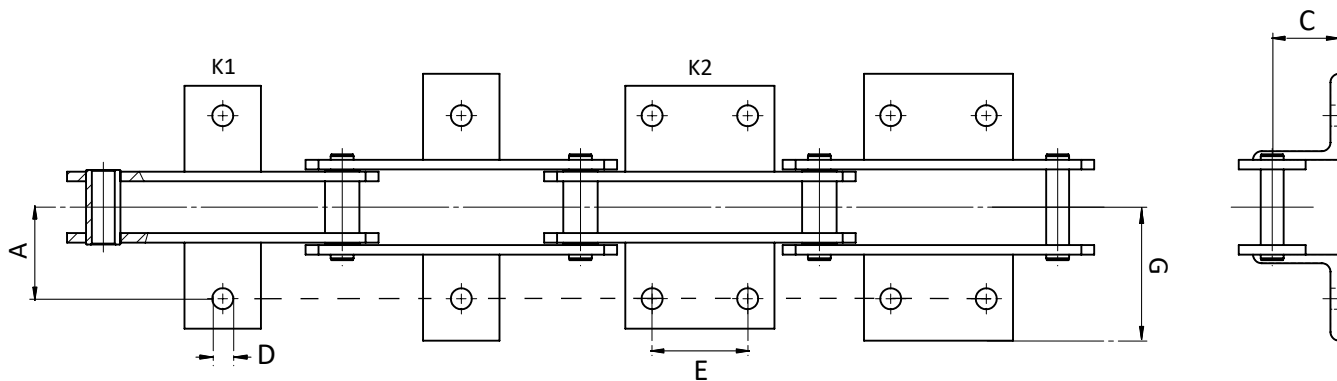
chains with flattened pins and bushes



Chain		Pitch mm							b1 min	b3 min	h2 nom	b4 max	e nom	d2 max	d4 max	d7 max	d1 max	d5 max	Rr (kN) min
Type 1*	Type 2*	63	80	100	125	160	200	250	24	33,3	30	52	4	10	15	21	42	50	56
MV 56	MVS 56	63	80	100	125	160	200	250	24	33,3	30	52	4	10	15	21	42	50	56
MV 80	MVS 80	80	100	125	160	200	250	315	28	39,4	35	62	5	12	18	25	50	60	80
MV 112	MVS 112	80	100	125	160	200	250	315	32	45,5	40	73	6	15	21	30	60	70	112
MV 160	MVS 160	100	125	160	200	250	315	400	37	52,5	50	85	7	18	25	36	70	85	160
MV 224	MVS 224	125	160	200	250	315	400	500	43	60,6	60	98	8	21	30	42	85	100	224
MV 315	MVS 315	160	200	250	315	400	500	630	48	70,7	70	112	10	25	36	50	100	120	315
MV 450	MVS 450	-	200	250	315	400	500	630	56	82,8	80	135	12	30	42	60	120	140	450
MV 630	MVS 630	-	200	250	315	400	500	630	66	97	100	147	14	36	50	70	140	170	630
MV 900	MVS 900	-	-	250	315	400	500	630	78	113	120	167	16	44	60	85	170	210	900

* TYPE 1: Flattened pin and bush chains, wood series

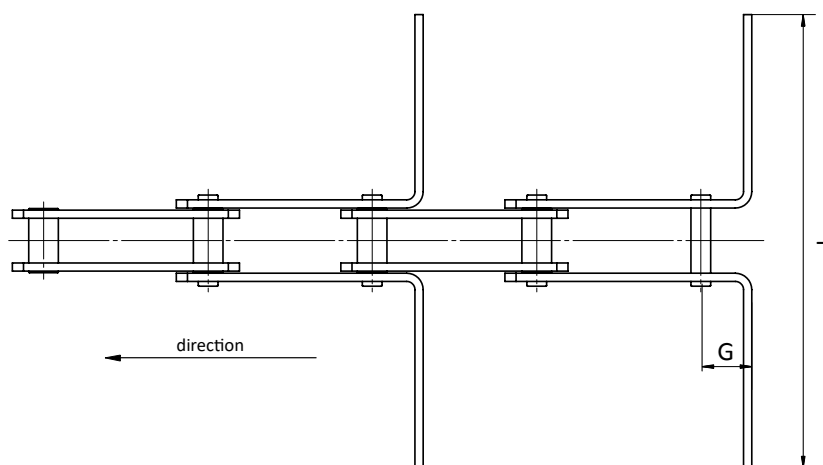
* TYPE 2: Welded flattened pin and bush chains, wood series



Dimensions in mm

Chain	D	A	G	C	E depending on the pitch P											
					63	80	100	125	160	200	250	315	400	500	630	
M20	6,6	27	43,5	16,5	20	35	50	50	50							
M56	11	44	63	30			25	50	85	85	85					
M80	11	48	71	35				50	85	125	125	125				
M112	14	55	80	40				35	65	100	100	100	100			
M160	14	62	95	45					50	85	125	125	125	145		
M224	18	70	110	55						65	125	190	190	190	190	
M315	18	80	116	65						50	100	155	155	155	155	
M450	18	90	135	75							85	155	240	240	240	
M630	24	115	165	90								100	190	300	300	
M900	30	140	200	110								100	190	300	300	

Scraper ISO 1977 chains



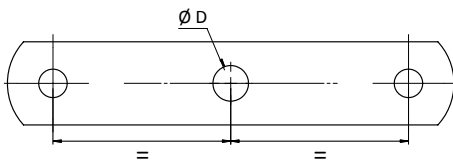
Dimensions in mm

Chain	G	L max.
MR56	26	330
MR80	28	350
MR112	30	430
MR160	35	480
MR224	39	580

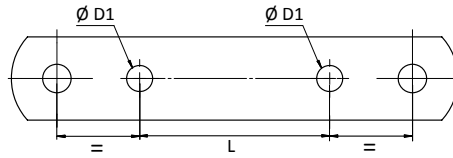
Plastic, welded or bended scraper types on request.

Plates with holes for ISO 1977 chain

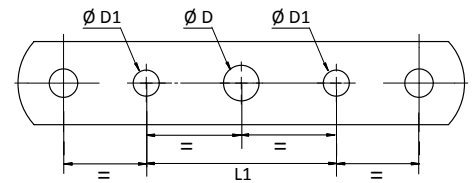
1 HOLE



2 HOLES



3 HOLES

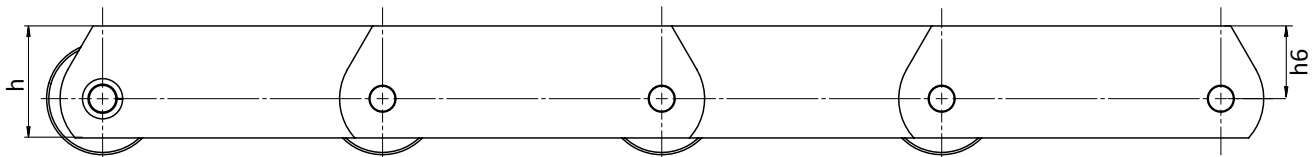


On external & internal plates

Dimensions in mm

Chain	D	D1	L	possible pitch		
				1 hole	2 holes	3 holes
M20	9			40 - 160		
M56	11	11	63	63 - 250	160 min	160 min
M80	15	11	80	80 - 315	200 min	200 min
M112	15	14	80	80 - 400	200 min	200 min
M160	21	14	100	100 - 500	250 min	250 min
M224	21	18	100	125 - 630	250 min	250 min
M315	25	18	125	160 - 630	315 min	315 min
M450	30	18	on request	200 - 630	315 min	315 min
M630	36	24	160	250 - 630	400 min	400 min
M900	45	30	200	250 - 630	500 min	500 min

Deep link ISO 1977 chains



Dimensions in mm

Chain	h	h6
MD20	25	16
MD56	45	30
MD80	50	32,5
MD112	60	40
MD160	70	45
MD224	90	60
MD315	100	65
MD450	120	80
MD630	140	90
MD900	180	120

THESE CHAINS CAN BE MANUFACTURED IN DELTA® HR/DELTA® TITANIUM 2 /VERTE® VERSIONS.
PLEASE CONSULT US.

These chains can also be manufactured with pins and flat bushes.
See our 2013 Conveyor Chain Flyer

These chains are:

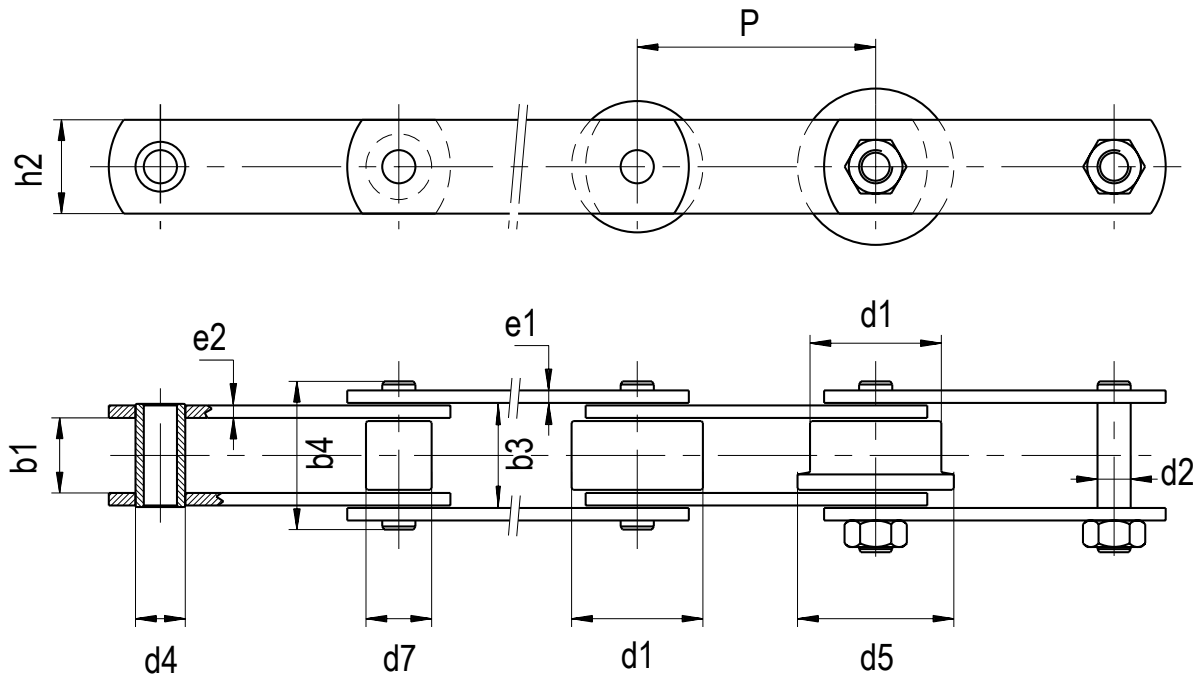
- bush chains (d4)
- small roller chains (d7)
- large roller chain (plain (d1) or flanged (d5))

The large rollers are heat treated.

We can deliver other metallurgy treatments on demand (hardening, quenching, high frequency, etc...)

The connecting links available:

- screwed connecting link N° 209
- cottered connecting link N° 208



Dimensions in mm

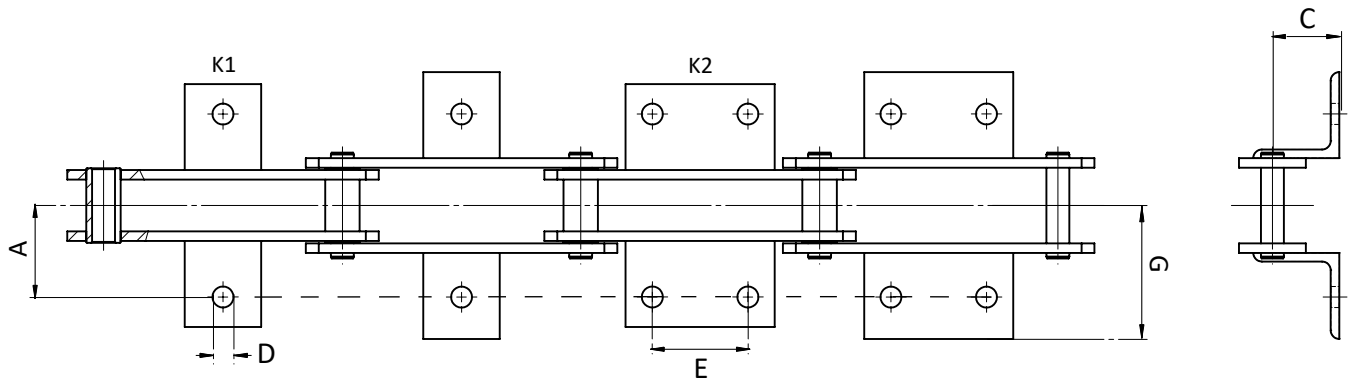
Chain	Pitch												b_1	h_2	b_3	b_4	e_1	e_2	d_2	d_4	d_7	d_1	d_5	R_r (kN)	
	(Intermediate pitches upon request)																								
	40	50	60	75	100	125	135	150	160	175	200	250													315
M22														16,0	20,0	23,0	34,0	3,0	3,0	8	12,0	18	25,0	32	20
M35 (ZM34)														15,2	25,0	25,3	38,2	4,0	4,0	14	18,4	25	32,0	42	34
M68 (ZM68)				*										19,0	40,0	31,6	48,5	5,0	5,0	19	23,7	32	48,0	60	90
M100				*										21,0	40,0	37,0	53,4	5,0	7,0	19	26,0	32	48,0	60	120
M200											203,2			26,0	50,0	46,0	65,0	6,0	8,0	24	32,0	48	70,0	90	200
M270						*								38,0	60,0	58,0	81,0	8,0	8,0	28	38,0	55	90,0	115	330
M400												252,4		38,0	70,0	66,0	94,0	10,0	12,0	29,05	38,0	60	100,0	127	490

█ Possible pitches

█ * Only applicable to chains with bushes and rollers

THESE CHAINS CAN BE MANUFACTURED IN
 DELTA® HR/DELTA® TITANIUM 2 /VERTE® VERSIONS.
 PLEASE CONSULT US.

K attachments for BS chains

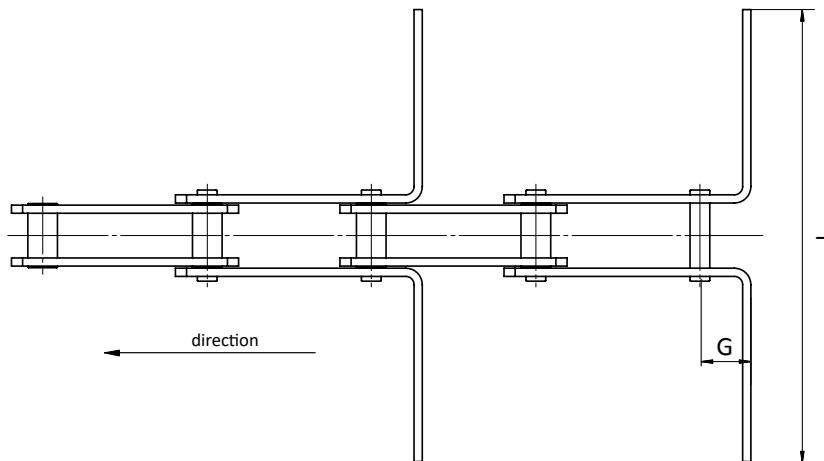


Dimensions in mm

Chain	D	A	G	C	E depending on the pitch											
					75	100	125	127	150	152,4	160	200	203,2	250	254	
M22	6,6	27	43,5	16,5	20	20	50									
M35 (ZM34)	The attachments are different. Please consult us.															
M68 (ZM68)	12,5	42,5	66,5	32		32	32	32	58	58		90		90		
M100	12,5	52,5	77	32		32	32	32	100	100		100				
M200*	14,5	52,5	101	45					50	60	60	60	60			
M270	14,5	75	121	50					40	40	60	60	60	60	60	60
M400	17	87,5	137	55								55	55	55	55	

*The M140 chain has been replaced by the M200 chain

Scraper BS chains



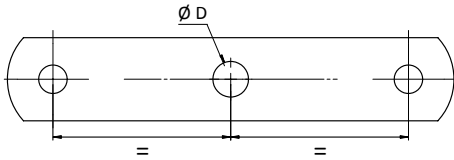
Dimensions in mm

Chain	G	L max.
MR22	18	140
MR35	30	250
MR68	30	
MR100	37	
MR200*	42	480
MR270	48	
MR400	45	

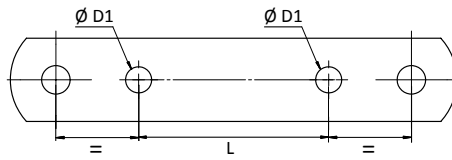
Plastic, welded or bended scraper types on demand.

*The MR140 chain has been replaced by the MR200 chain

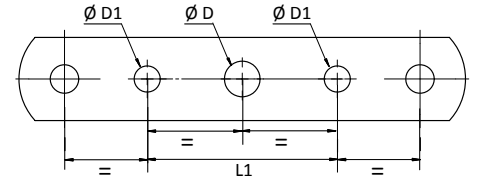
1 HOLE



2 HOLES



3 HOLES



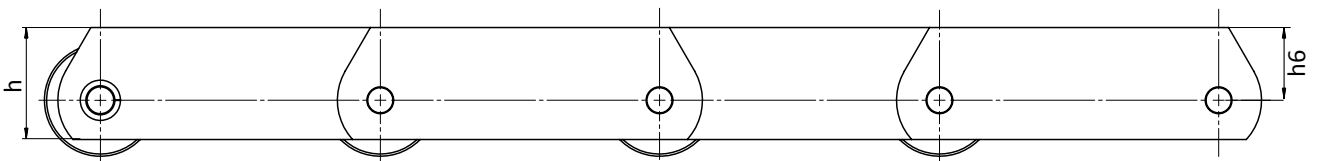
On outer and inner plates

Dimensions in mm

Chain	D	D1	L	L1	possible pitches		
					1 hole	2 holes	3 holes
M35	10,5	8,3	40		100, 125	100, 125	
M68	12,5	10,5	35, 60, 80	100	63 - 250	125, 150, 160	200, 250
M100	12,5	10,5	35, 60, 80	100	100 - 125	125, 150, 160	200, 250
M200*	12,5	12,5	60	100	100 min	150 min	200 min
M270	14,5	14,5	60	60	150 min	160 min	160 min
M400	17	17	100	100	160 min	200 min	200 min

* the M140 chain has been replaced by the M200

Deep link BS chains



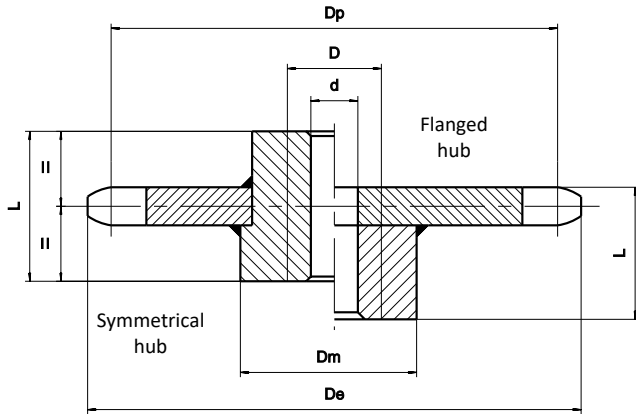
Dimensions in mm

Chaîne	h	h6
MD22	25	15
MD35	35	21,5
MD68	50	30
MD100	50	30
MD200*	70	45
MD270	90	60
MD400	110	75

* the MD140 chain has been replaced by the MD200

THESE CHAINS CAN BE MANUFACTURED IN DELTA® HR/DELTA® TITANIUM 2 /VERTE® VERSIONS.
PLEASE CONSULT US.

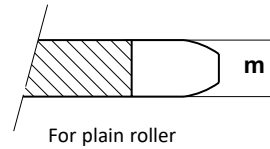
ISO standard chains



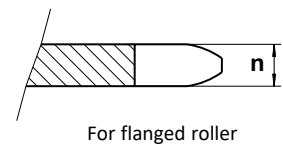
All our wheels are manufactured with a raw oxygen cutting or foundry tooth for chains fitted with slide rollers and flanged rollers. Wheels for bush and roller chains are tooth milled. Our Standard wheels are manufactured with flanged hub with the possibility of wheels with symmetrical hub.

We supply upon request:

- wheels with machine cut teeth for chains mentioned below
- wheels with a different number of teeth
- special wheels



For plain roller



For flanged roller

Dimensions in mm

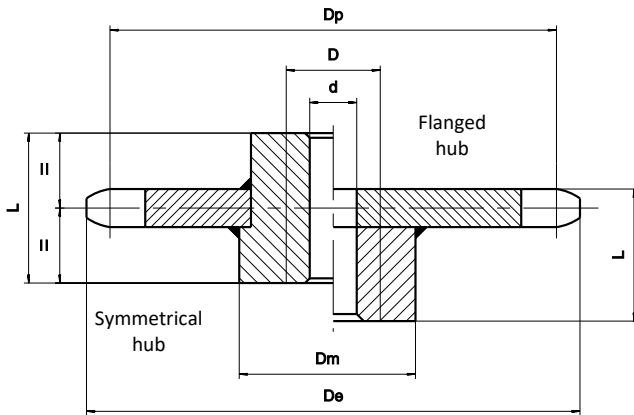
Chain reference	Pitch	Z	Dp	De	Bore		Hub		Mass kg	m	n
					d (H10) min.	D max.	Dm	L			
M20	50	8	130,65	136	24	50	80	50	2,6	14	10,5
		12	193,18	200	24	50	80	50	4,0		
	63	8	164,62	172	24	50	80	50	3,1	14	10,5
		12	243,41	253	24	50	80	60	5,1		
M56	80	8	209,04	214	24	50	80	50	4,6	14	10,5
		12	309,09	318	24	60	90	70	7,3		
	100	8	261,31	270	24	60	90	70	6,5	14	10,5
		12	286,37	396	24	70	100	80	8,8		
M80	100	8	261,31	275	30	80	120	80	13,5	20	15,0
		12	386,37	404	30	100	150	100	23,0		
	125	8	326,63	340	30	80	120	80	14,7	20	15,0
		12	482,96	500	30	100	150	100	28,2		
M80	160	8	418,09	432	30	100	150	100	24,6	20	15,0
		12	618,19	635	40	120	170	120	41,0		
	200	8	522,62	536	30	100	150	100	30,9	20	15,0
		12	772,74	788	40	120	170	120	52,3		
M112	100	8	261,31	278	30	80	130	80	15,3	20	15,0
		12	386,37	406	30	100	160	100	28,0		
	125	8	326,63	342	30	80	130	80	20,4	20	15,0
		12	482,96	503	30	100	160	100	33,4		
M112	160	8	418,09	436	30	100	160	100	28,4	22	18,0
		12	618,19	636	40	120	190	120	50,4		
	200	8	522,62	540	30	100	160	100	35,8	22	18,0
		12	772,74	792	40	120	190	120	63,0		
M160	125	8	326,63	346	30	80	150	80	23,0	25	20,0
		12	482,96	506	30	100	170	100	39,0		
	160	8	418,09	438	30	100	170	100	39,4	25	20,0
		12	618,19	640	40	120	200	120	60,3		
M160	200	8	522,62	542	30	100	170	100	43,2	25	20,0
		12	772,74	794	40	120	200	120	75,6		
	250	8	653,27	670	40	120	200	120	64,5	25	20,0
		12	965,92	988	40	140	240	140	109,0		
M224	160	8	418,09	442	30	100	200	100	47,8	30	24,0
		12	618,19	645	40	120	230	120	77,8		
	200	8	522,62	544	30	100	200	100	57,0	30	24,0
		12	772,74	798	40	120	230	120	99,4		
M224	250	8	653,27	676	40	120	230	120	83,5	30	24,0
		12	965,92	992	40	140	260	140	139,8		
	315	8	823,12	844	40	120	230	120	107,0	30	24,0
		12	1 217,06	1243	40	140	260	140	186,4		
M315	160	8	418,09	448	40	120	220	120	58,4	35	25,0
		12	618,19	650	40	140	260	140	120,0		
	200	8	522,62	550	40	120	220	120	80,0	35	25,0
		12	772,74	804	40	140	260	140	130,0		
M315	250	8	653,27	680	40	140	260	140	112,0	35	25,0
		12	965,92	998	50	160	300	160	186,0		
	315	8	823,12	850	40	140	260	140	144,0	35	25,0
		12	1 217,06	1249	50	160	300	160	245,0		
M450	160	8	418,09	448	40	120	250	120	68,0	40	30,0
		12	618,19	653	40	140	300	140	141,0		
	200	8	522,62	552	40	120	250	120	91,0	40	30,0
		12	772,74	807	40	140	300	140	165,0		
M450	250	8	653,27	680	40	140	300	140	149,0	40	30,0
		12	965,92	1003	50	160	340	160	239,0		
	315	8	823,12	854	40	140	300	140	175,0	40	30,0
		12	1 217,06	1254	50	160	340	160	310,0		
M450	200	8	522,62	559	40	140	280	140	120,0	45	35,0
		12	772,74	800	50	160	320	160	259,0		
	250	8	653,27	689	50	160	320	160	193,0	45	35,0
		12	965,92	987	50	180	380	180	323,0		
315	8	823,12	815	50	160	320	160	269,0	45	35,0	
	12	1 217,06	1229	50	180	380	180	412,0			
M630 & M900	400	8	1 045,24	1020	50	180	380	180	352,0	45	35,0
		12	1 545,48	1547	60	200	460	200	630,0		

CONSULT US

These wheels are available with different numbers of teeth. Do not hesitate in consulting us. Dimensions subject to change. Please consult us for verification.

Wheels and Sprockets for conveyor chains

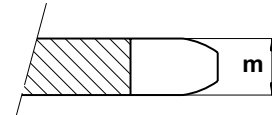
BS standard chains



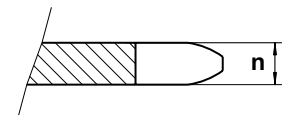
All our wheels are manufactured with a raw oxygen cutting or foundry tooth for chains fitted with slide rollers and flanged rollers. Wheels for bush and roller chains are tooth milled. Our Standard wheels are manufactured with flanged hub with the possibility of wheels with symmetrical hub.

We supply upon request:

- wheels with machine cut teeth for chains mentioned below
- wheels with a different number of teeth
- special wheels



For plain roller



For flanged roller

Chain reference	Pitch	Number of teeth	Dp	De	Bore		Hub		Mass kg	m	n
					d(H10) min.	D max.	Dm	L			
M22	50	8	130,65	140	24	50	80	60	3	12,6	9,0
		12	193,18	203	24	50	80	60	5		
	75	8	195,98	206	24	50	80	60	6	12,6	9,0
		12	289,77	299	24	50	80	60	10		
M35	50	8	261,31	271	24	50	80	60	9	12,6	9,0
		12	386,37	396	24	50	80	60	16		
	60	8	156,79	172	25	50	100	50	4	12,0	10,0
		12	231,82	247	30	60	115	65	8		
M68	75	8	195,98	215	25	50	100	50	7	15,0	12,0
		12	289,78	309	30	60	115	65	14		
	100	8	261,31	276	30	60	115	65	9	15,0	12,0
		12	386,37	401	30	70	120	75	16		
M100	125	8	326,64	336	24	50	80	60	12	12,6	9,0
		12	482,96	492	24	50	80	60	21		
	150	8	391,97	411	30	70	120	75	22	15,0	12,0
		12	579,56	599	30	70	120	75	39		
M200*	75	8	195,98	217	25	50	100	50	7	18,0	13,5
		12	289,78	311	30	60	115	65	14		
	100	8	261,31	282	30	60	115	65	11	18,0	13,5
		12	386,37	407	30	70	120	75	20		
M270	125	8	326,64	347	30	60	115	65	16	18,0	13,5
		12	482,96	504	30	70	120	75	29		
	150	8	391,97	413	30	70	120	75	22	18,0	13,5
		12	579,56	600	30	70	120	75	39		
M400	100	8	261,31	287	30	90	150	80	18	22,0	15,0
		12	386,37	412	30	90	150	80	28		
	125	8	326,64	352	30	90	150	80	20	22,0	15,0
		12	482,96	509	30	90	150	80	40		
M400	150	8	391,97	418	30	90	150	80	30	22,0	15,0
		12	579,56	605	30	90	150	80	55		
	160	8	418,10	444	30	90	150	80	35	22,0	15,0
		12	618,19	644	30	90	150	80	65		
M270	200	8	522,63	548	30	90	150	80	45	22,0	15,0
		12	772,74	798	30	90	150	80	90		
	150	8	391,97	422	30	110	180	140	62	32,0	25,0
		12	579,56	610	30	110	180	140	116		
M270	200	8	522,63	553	30	110	180	140	114	32,0	25,0
		12	772,74	803	30	110	180	140	184		
	250	8	653,28	684	30	110	180	140	134	32,0	25,0
		12	965,93	996	30	110	180	140	224		
M400	150	8	391,97	422	30	120	200	160	62	32,0	25,0
		12	579,56	610	30	120	200	160	116		
	160	8	418,10	449	30	120	200	160	66	32,0	25,0
		12	618,19	649	30	120	200	160	120		
M400	200	8	522,63	553	30	120	200	160	114	32,0	25,0
		12	772,74	803	30	120	200	160	184		
	250	8	653,28	684	30	120	200	160	134	32,0	25,0
		12	965,93	996	30	120	200	160	224		

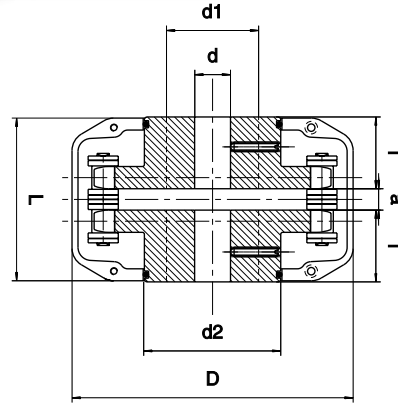
These wheels are available with 10 and 16 teeth. Do not hesitate in consulting us. Dimensions subject to change. Please consult us for verification.

*The M140 chain has been replaced by the M200 chain

OTHER
PRODUCTS
& SERVICES



Chain couplings



CHAIN COUPLINGS WITHOUT PROTECTION HAVE DIFFERENT DIMENSIONS. THEY ARE AVAILABLE WITHOUT KEYWAY AND WITHOUT GRUB SCREW. IN DOUBT, CONSULT US.

Dimensions in mm

References		d	d1	d2	l	D	L	a	Maximum misalignment between shafts (mm)	Maximum angular shafts divergence (degrees)	Mass (without case) (kg)
with case	without case										
A203	A203SP	12	28	42	30	80	65	5,04	0,25	1°	0,82
A207	A207SP	12	34	56	28	97	63	6,82	0,25	0°50'	1,65
A211	A211SP	14	48	70	30	117	68	7,69	0,25	0°50'	3,00
A213	A213SP	16	55	80	35	145	79	8,61	0,30	0°40'	4,60
A215	A215SP	20	65	100	45	190	106	15,98	0,30	0°40'	10,00
	A217SP	30	77	114	60	-	138	18,10	0,40	0°35'	20,00
	A218SP	40	97	148	70	-	165	24,46	0,40	0°30'	40,00
	A220SP	50	112	162	85	-	201	30,41	0,50	0°30'	65,00
	A222SP	50	127	185	90	360	210	29,40	0,50	0°30'	75,00
	A223SP*	60	150	220	120	450	277	36,34	0,60	0°30'	150,00
	A224SP*	80	170	280	150	-	348	48,01	0,60	0°30'	260,00

* manufactured on request

Sprockets are 18 teeth type except for A224 (16 teeth type).

TRANSMISSIBLE POWER RATING IN KW (CONSTANT TORQUE)

References	RPM																
	25	50	75	100	200	300	400	500	600	900	1 200	1 500	1 800	2 500	3 000	3 600	4 800
A203	0,1	0,3	0,4	0,6	1,1	1,7	2,2	2,8	3,3	5,0	6,7	8,3	10,0	13,7	16,3	19,3	24,9
A207	0,3	0,7	1,0	1,4	2,8	4,1	5,5	6,9	8,2	12,3	16,4	20,4	24,3	33,2	39,3	46,0	
A211	0,6	1,1	1,7	2,2	4,5	6,7	9,0	11,2	13,4	20,1	26,6	33,1	39,4	53,3	62,5		
A213	0,9	1,7	2,6	3,4	6,8	10,3	13,7	17,1	20,4	30,5	40,3	49,9	59,0	78,7			
A215	2,5	5,0	7,5	10,0	20,0	29,9	39,8	49,7	59,4	88,2	115,8	141,9	166,0				
A217	5,1	10,2	15,3	20,5	40,9	61,2	81,4	101,5	121,4	179,4	234,4	285,1					
A218	10,3	20,7	31,0	41,3	82,5	123,4	163,9	203,9	243,3	356,5	459,5	548,8					
A220	16,2	32,4	48,5	64,7	129,1	192,9	256,0	317,9	378,5	549,4	698,4						
A222	23,2	46,4	69,6	92,8	185,1	276,6	366,8	455,3	541,6	783,6							
A223	47,9	95,8	143,6	191,4	381,5	568,5	752,2	930,1	1 101,3								
A224	70,1	140,2	210,1	280,0	557,5	829,8	1 094,6	1 349,2	1 591,1								

Coupling selection: select a coupling whose rated power Pn (or transmissible power) is given in the table above. Rated power Pn (as per table) has to be higher than the power to be transmitted x safety factor "S".

SAFETY FACTOR "S"

Correction

Multiply these factors by:
 - 1,15: for operating 16/24 hours
 - 1,30: for operating 24/24 hours

Class of transmission	Electric motor or turbine	I.C engine with hydraulic drive	I.C engine with mechanical drive
A - Efforts réguliers	1,0	1,2	1,4
B - Efforts irréguliers	1,2	1,4	2,0
C - Efforts irréguliers, à coups	1,8	2,0	2,3

Gauges available for measuring the wear elongation of chains:

- J (LL) & AL type leaf chains
- LH/BL type leaf chains & roller chains



Chain Extractor Tools



Chain Extractor ref 9130

Simplex, duplex and triplex chains of pitches from 8 to 19,05mm in British and American standards



Chain Extractor ref 9160

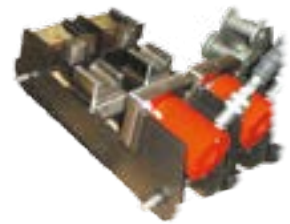
Simplex, duplex and triplex chains of pitches from 25,4 to 31,75mm in British and American standards

This tooling is used to extract the pins of a transmission chain facilitating the dismantling of an outer link. It is recommended to file the pins before removing them.

Assembling and Extracting Tool

Tooling used to dismantle and assemble all our conveyor chains, special and standard, in all pitch sizes. Dismantling possible on unriveted pins.

Widely used in theme parks, cement and sugar industries, etc...



Sedis Service



The performance of an equipment is not only due to an excellent quality of product but also to a proper installation and an appropriate maintenance, that's why you can trust our experienced team for complete installation, maintenance and refurbishing of your conveyor lines on site, for any industry.

SEDIS Service performs:

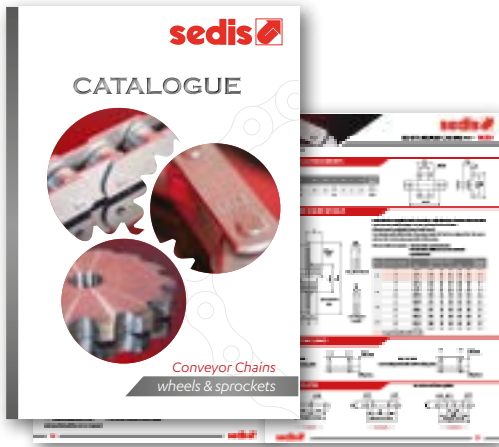
- *Prescription*
- *Assessment study*
- *Installation*
- *Training*
- *Application analysis*

From design to installation, one contact: **SEDIS**

For further information please contact us

Other available brochures and catalogues

Conveyor Chains Catalogue



Industrial Components Catalogue



New Conveyor Offering



Transmission brochure 2021



Ranges Flyers

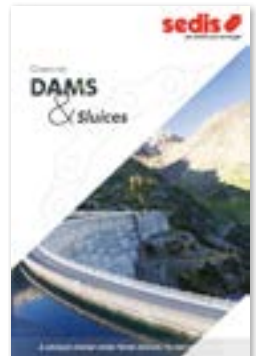
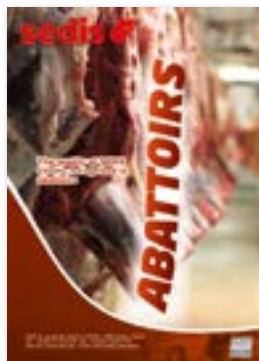


Other available brochures and catalogues

Corporate Brochure




Specific Application Brochures



SEDIS - HEAD OFFICE

6 rue Nicolat Siret
CS 90104, 10003 TROYES Cedex
France

 +33 (0) 3 25 76 29 50


 <http://sedis.com/contact>

 www.sedis.com

 <https://www.linkedin.com/company/sedis>


SEDIS - LOGISTIC PLATFORM

9 rue de la Douane
10600 LA CHAPELLE SAINT LUC
France

 +33 (0) 3 10 64 17 80


SEDIS - VERRIERES FACTORY

6 rue de Verjoux
25300 VERRIERES-DE-JOUX
France

 +33 (0) 3 81 38 40 60


SEDIS - TROYES FACTORY

35 rue des Bas Trévois
CS 90104, 10003 TROYES Cedex
France

 +33 (0) 3 25 76 29 50

SEDIS COMPANY LTD


248 Mackadown Lane, Kitts Green
BIRMINGHAM, B33 0LE
UK


 +44 (0) 121 783 2636

 sales@sedis.co.uk

SEDIS ITALIA

Via Pietro Mascagni 42
20030 SENAGO (MI)
ITALIA


 +39 (0) 2 47 76 11 97

 +39 (0) 2 38 23 67 76

 aconan@sedis.com

SEDIS GMBH

Im Grashof 8
D- 38259 Salzgitter
DEUTSCHLAND

 +33 (0) 3 25 76 80 59

 spidansat@sedis.com



Scan the QR code to visit our website!